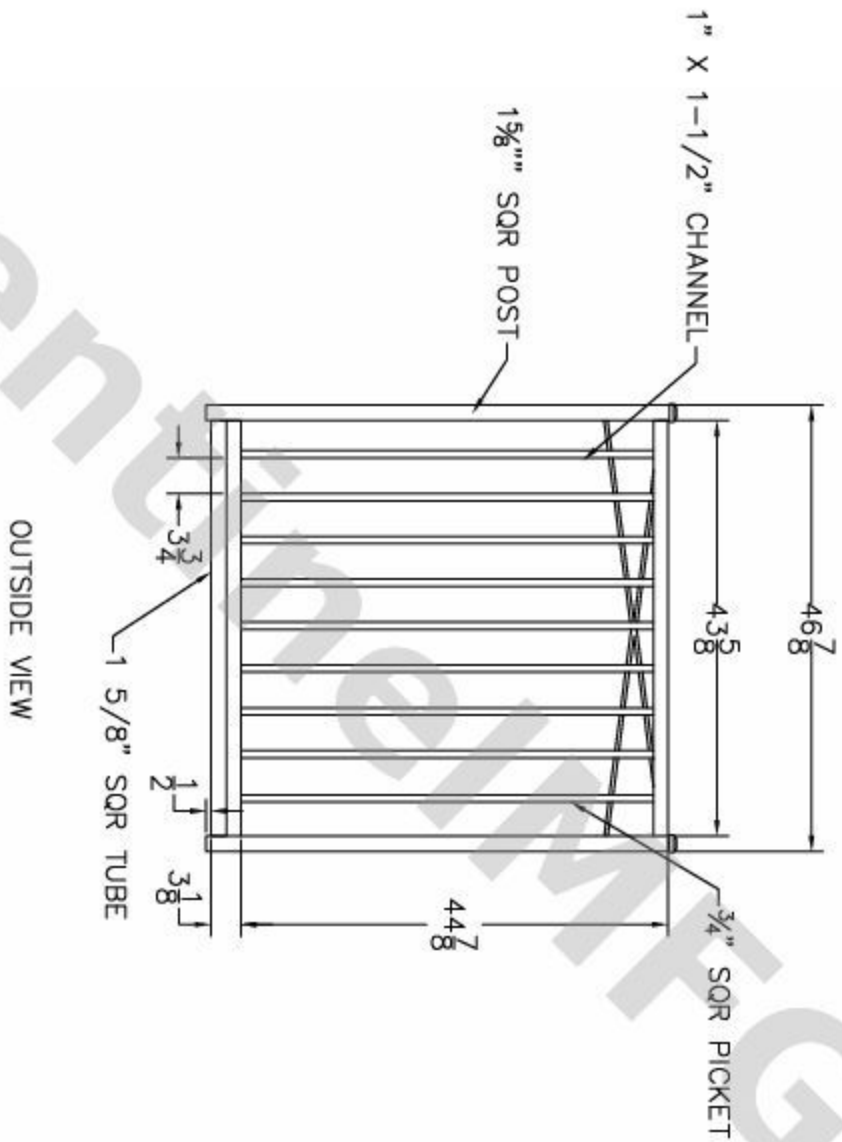


REV	DESCRIPTION	DATE	BY	CHKD
01	INITIAL RELEASE			
02	REVISION			
03	REVISION			
04	REVISION			
05	REVISION			
06	REVISION			
07	REVISION			
08	REVISION			
09	REVISION			
10	REVISION			
11	REVISION			
12	REVISION			
13	REVISION			
14	REVISION			
15	REVISION			
16	REVISION			
17	REVISION			
18	REVISION			
19	REVISION			
20	REVISION			



OUTSIDE VIEW

- NOTES:
1. ALL DIMENSIONS IN INCHES.
  2. INSTALL POSTS PER STANDARD CONSTRUCTION PRACTICES

SENTINEL MFG.  
 1527 NC HWY 711  
 LUMBERTON, NC 28360  
 (910) 735-1351

DRAWING:  
 COMMERCIAL GRADE  
 PHILLY GATE-48"HT X 48"WD  
 SUPER HEAVY DUTY

SIZE	DWG NO.	REV
D	PHL-C-48X48-SHD	NC

© 2009. This drawing may not be altered or reproduced without the permission of SENTINEL MFG.