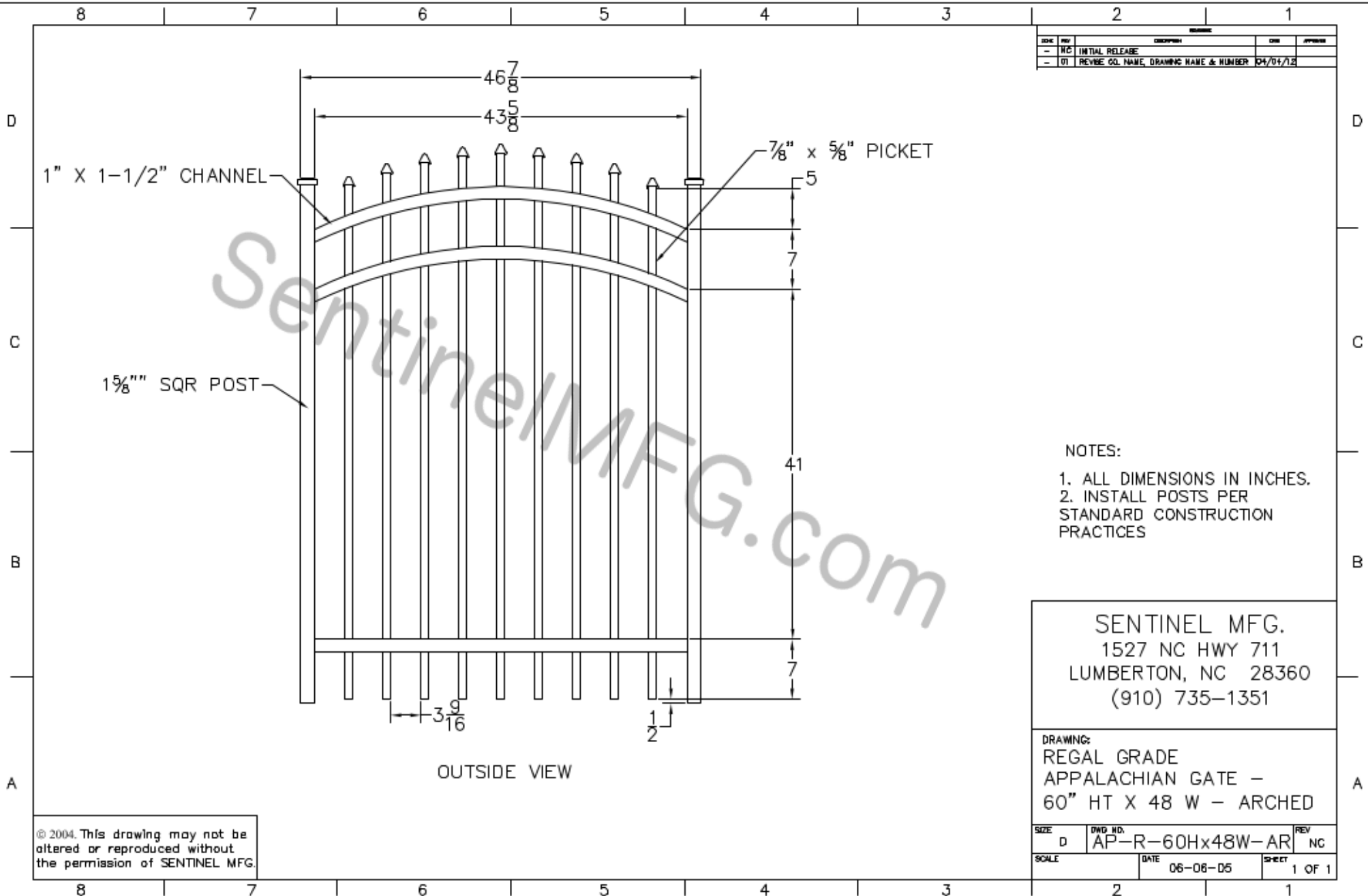


NO.	REV.	DESCRIPTION	DATE	APPROVED
-	NC	INITIAL RELEASE		
-	01	REVISE CO. NAME, DRAWING NAME & NUMBER	04/04/12	



- NOTES:
1. ALL DIMENSIONS IN INCHES.
 2. INSTALL POSTS PER STANDARD CONSTRUCTION PRACTICES

SENTINEL MFG.
 1527 NC HWY 711
 LUMBERTON, NC 28360
 (910) 735-1351

DRAWING:
 REGAL GRADE
 APPALACHIAN GATE -
 60" HT X 48 W - ARCHED

SIZE	D	DWG. NO.	AP-R-60HX48W-AR	REV	NC
SCALE		DATE	06-06-05	SHEET	1 OF 1

© 2004. This drawing may not be altered or reproduced without the permission of SENTINEL MFG.