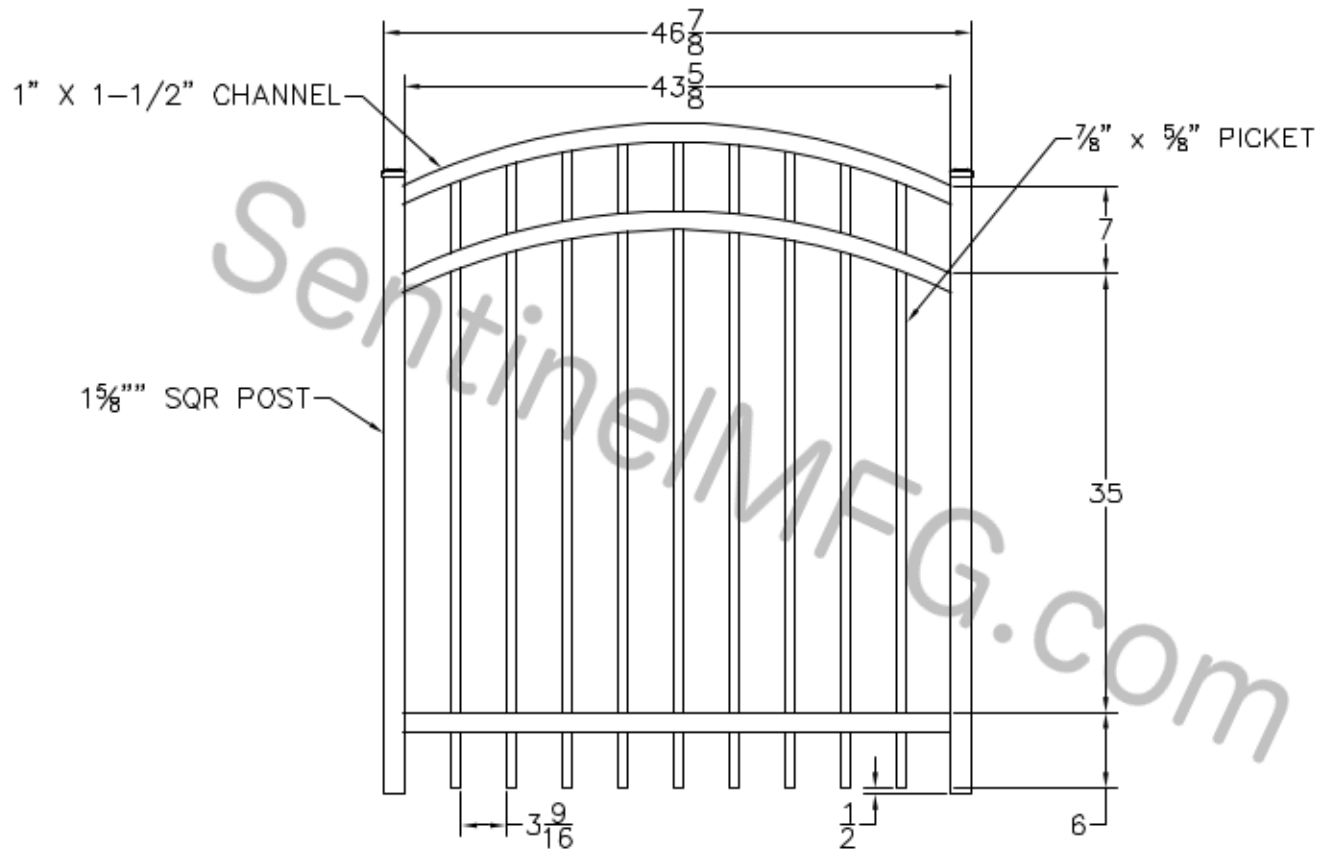


DATE	REV	DESCRIPTION	BY	APP
-	NC	INITIAL RELEASE		
-	01	CREATED FROM SI-R-48HX48W-AR-HD	05/03/12	



OUTSIDE VIEW

NOTES:

1. ALL DIMENSIONS IN INCHES.
2. INSTALL POSTS PER STANDARD CONSTRUCTION PRACTICES

SENTINEL MFG.
 1527 NC HWY 711
 LUMBERTON, NC 28360
 (910) 735-1351

DRAWING:
 REGAL GRADE
 SIERRA GATE - ARCHED
 48" HT X 48W

SIZE	DWG NO.	REV
D	SI-R-48HX48W-AR	NC
SCALE	DATE	SHEET
	06-06-05	1 OF 1

© 2004. This drawing may not be altered or reproduced without the permission of SENTINEL MFG.