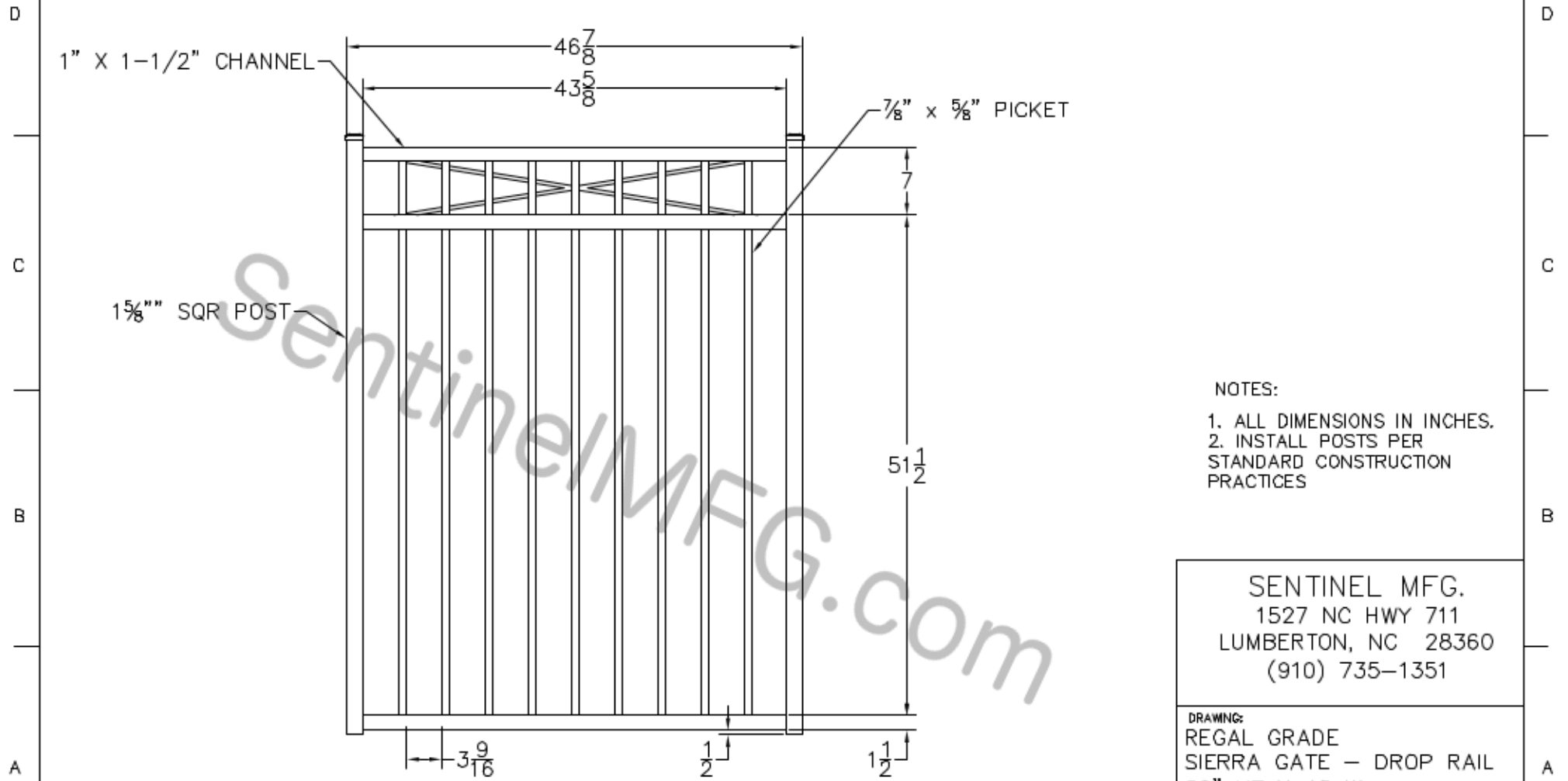


DATE	REV	DESCRIPTION	BY	APP'D
-	NC	INITIAL RELEASE		
-	01	CREATED FROM SI-R-60HX48W-DR	CS	02/12



- NOTES:
1. ALL DIMENSIONS IN INCHES.
 2. INSTALL POSTS PER STANDARD CONSTRUCTION PRACTICES

SENTINEL MFG.
 1527 NC HWY 711
 LUMBERTON, NC 28360
 (910) 735-1351

DRAWING:
 REGAL GRADE
 SIERRA GATE - DROP RAIL
 60" HT X 48 W

© 2004. This drawing may not be altered or reproduced without the permission of SENTINEL MFG.

OUTSIDE VIEW

SIZE	DWG NO.	REV
D	SI-R-60HX48W-DR	NC
SCALE	DATE	SHEET
	06-06-05	1 OF 1