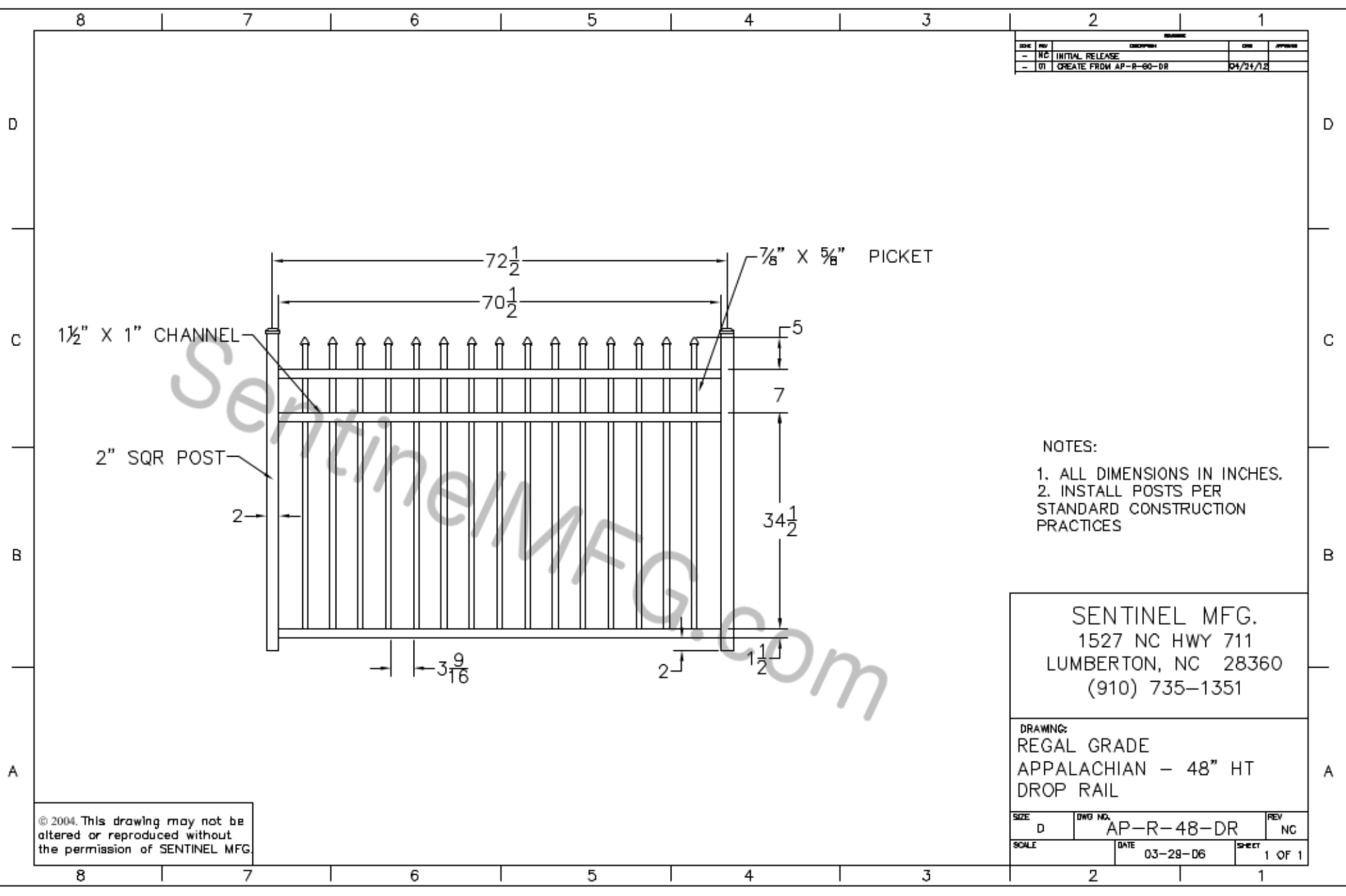


REV	DESCRIPTION	DATE	APP'D
- NC	INITIAL RELEASE		
- 01	CREATE FROM AP-R-80-DR	04/21/12	



- NOTES:
1. ALL DIMENSIONS IN INCHES.
 2. INSTALL POSTS PER STANDARD CONSTRUCTION PRACTICES

SENTINEL MFG.
 1527 NC HWY 711
 LUMBERTON, NC 28360
 (910) 735-1351

DRAWING:
 REGAL GRADE
 APPALACHIAN - 48" HT
 DROP RAIL

© 2004. This drawing may not be altered or reproduced without the permission of SENTINEL MFG.

SIZE	DWG NO.	REV
D	AP-R-48-DR	NC
SCALE	DATE	SHEET
	03-29-06	1 OF 1