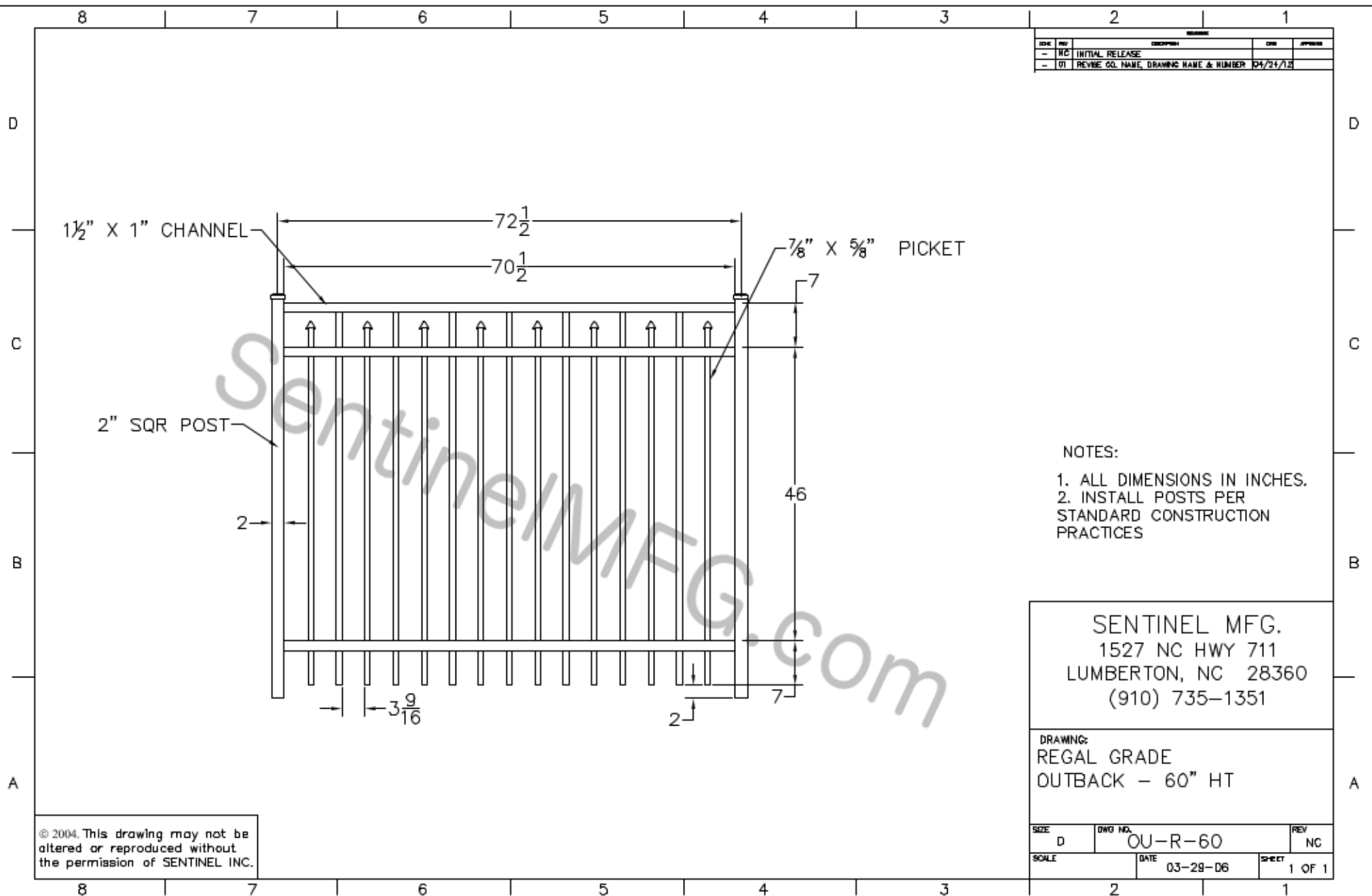


DATE	REV	DESCRIPTION	BY	APPR
-	NC	INITIAL RELEASE		
-	DT	REVISE CO. NAME, DRAWING NAME & NUMBER	04/24/12	



- NOTES:
1. ALL DIMENSIONS IN INCHES.
  2. INSTALL POSTS PER STANDARD CONSTRUCTION PRACTICES

SENTINEL MFG.  
 1527 NC HWY 711  
 LUMBERTON, NC 28360  
 (910) 735-1351

DRAWING:  
 REGAL GRADE  
 OUTBACK - 60" HT

© 2004. This drawing may not be altered or reproduced without the permission of SENTINEL INC.

SIZE	DWG NO.	REV
D	OU-R-60	NC
SCALE	DATE	SHEET
	03-29-06	1 OF 1