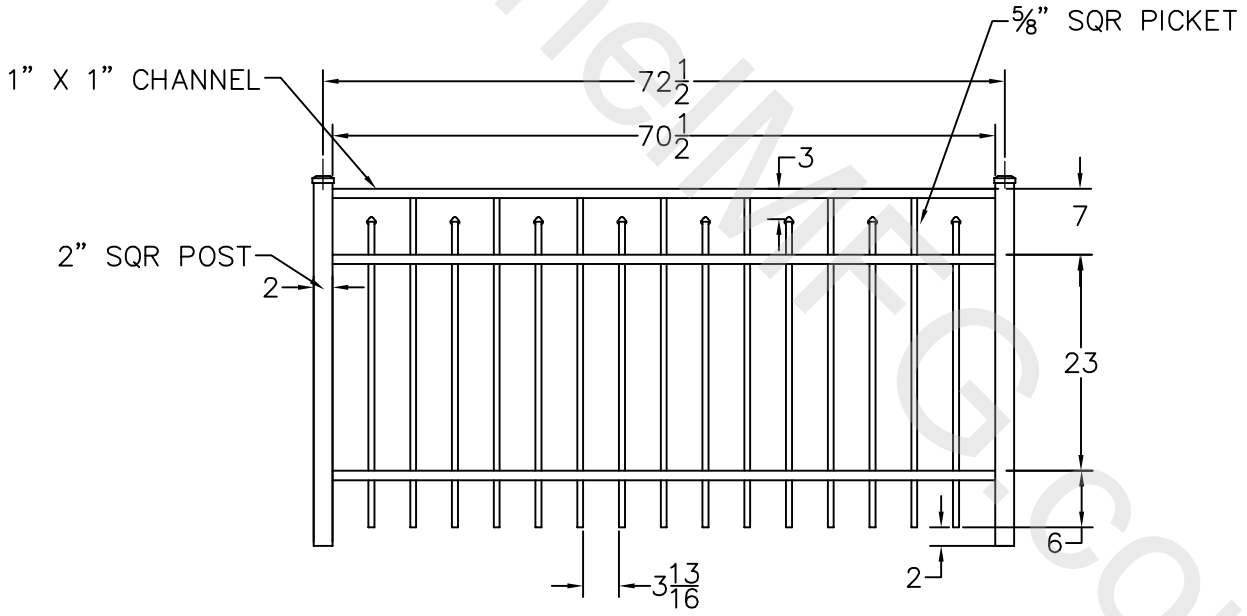


ZONE		REV	DESCRIPTION	DATE	APPROVED
-	NC		INITIAL RELEASE		
-	01		REVISE CO. NAME	01/11/12	



- NOTES:
1. ALL DIMENSIONS IN INCHES.
  2. INSTALL POSTS PER STANDARD CONSTRUCTION PRACTICES

SENTINEL MFG.  
 1527 NC HWY 711  
 LUMBERTON, NC 28360  
 (910) 735-1351

DRAWING:  
 OUTBACK - 36" HT

© 2004. This drawing may not be altered or reproduced without the permission of SENTINEL MFG.

SIZE	D	DWG NO.	OU-36	REV	NC
SCALE		DATE	06-06-05	SHEET	1 OF 1