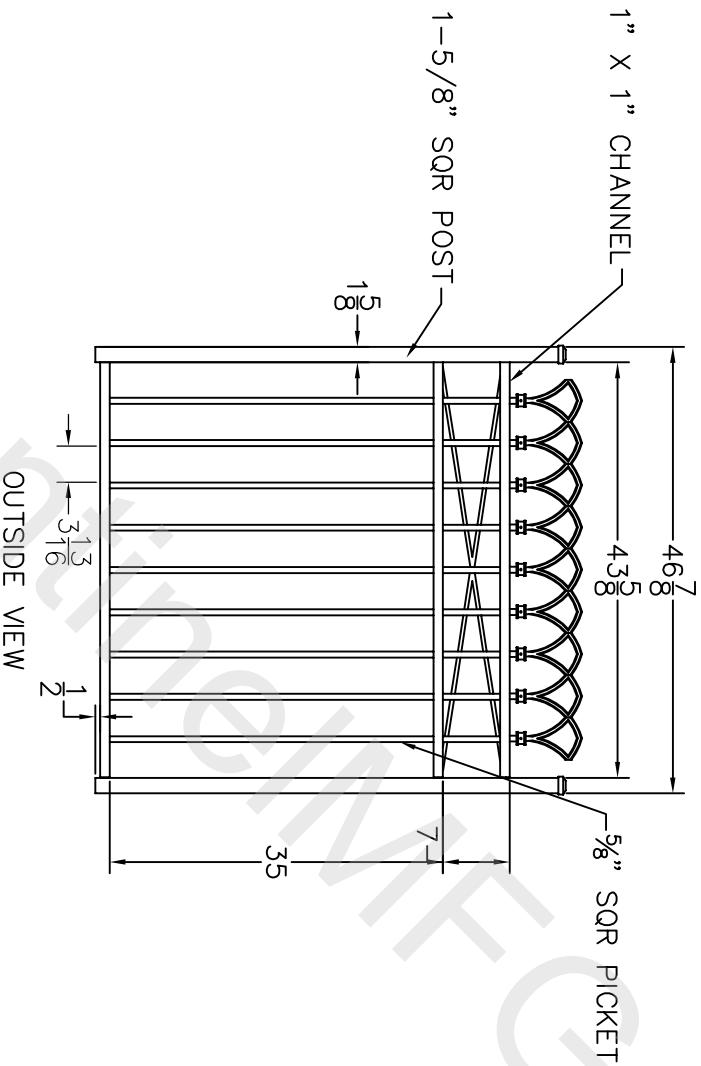


| DATE | REV | DESCRIPTION                       | DATE     | APPROVED |
|------|-----|-----------------------------------|----------|----------|
| -    | NC  | INITIAL RELEASE                   | 03-20-12 |          |
| -    | OT  | CREATE FROM 48HX48 CATHEDRAL GATE |          |          |



- NOTES:
1. ALL DIMENSIONS IN INCHES.
  2. INSTALL POSTS PER STANDARD CONSTRUCTION PRACTICES

SENTINEL MFG.  
 1527 NC HWY 711  
 LUMBERTON, NC 28360  
 (910) 735-1351

DRAWING:  
 CATHEDRAL GATE-  
 48"HT X 48" WD  
 DROP RAIL

|       |   |        |                 |       |        |
|-------|---|--------|-----------------|-------|--------|
| SIZE  | D | DMG NO | APFP-48HX48W-DR | REV   | NC     |
| SCALE |   | DATE   | 06-06-05        | SHEET | 1 OF 1 |

© 2004. This drawing may not be altered or reproduced without the permission of SENTINEL MFG.