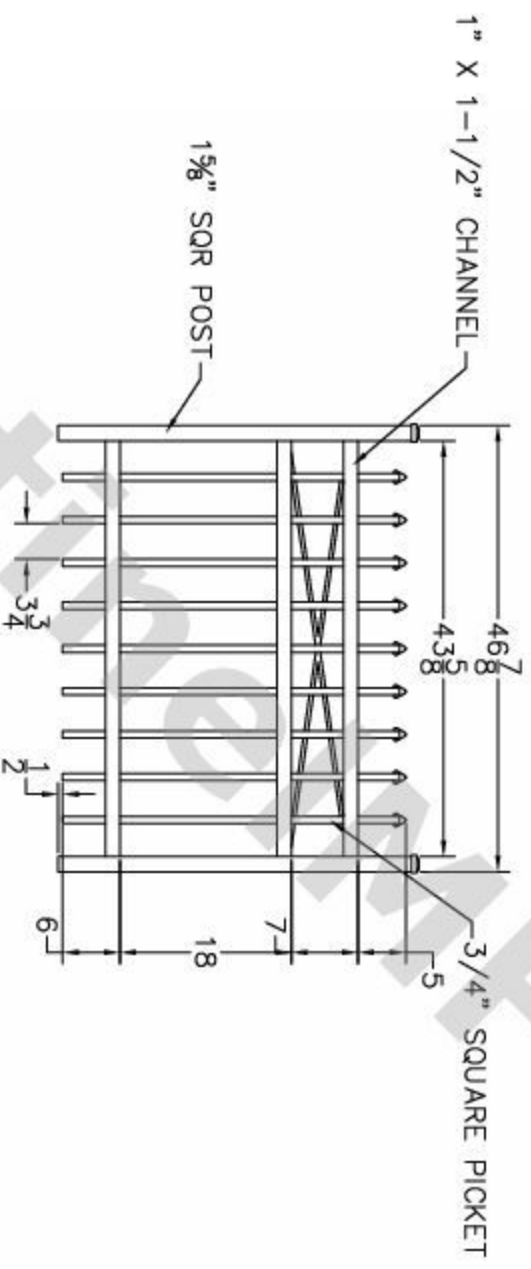


REV	NO	DATE	DESCRIPTION	BY	CHK
-	NC		INITIAL RELEASE		
-	01		CREATED FROM AP-48X48 GATE		08-08-13



- NOTES:
1. ALL DIMENSIONS IN INCHES.
 2. INSTALL POSTS PER STANDARD CONSTRUCTION PRACTICES

SENTINEL MFG.
 1527 NC HWY 711
 LUMBERTON, NC 28360
 (910) 735-1351

DRAWING:
 COMMERCIAL GRADE
 APPALACHIAN GATE
 36" HT X 48" WD

SIZE	D	DWG NO.	AP-C-36X48	REV	NC
SCALE		DATE	11-26-09	SHEET	1 OF 1

© 2009. This drawing may not be altered or reproduced without the permission of SENTINEL MFG.