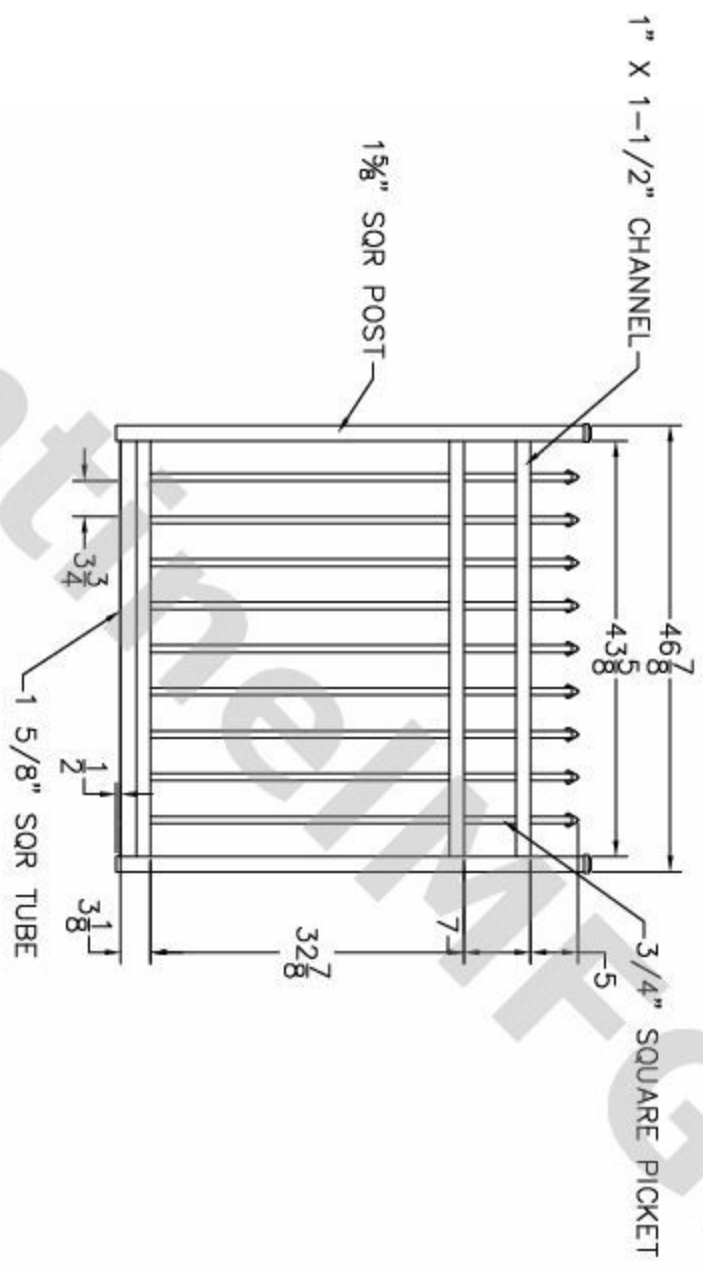


REV	NO	DATE	BY	CHK	APP
-	NC				
INITIAL RELEASE					
CREATED FROM AFD-48X48-SHD GATE					
				06-08-12	



- NOTES:
1. ALL DIMENSIONS IN INCHES.
  2. INSTALL POSTS PER STANDARD CONSTRUCTION PRACTICES

SENTINEL MFG.  
 1527 NC HWY 711  
 LUMBERTON, NC 28360  
 (910) 735-1351

DRAWING:  
 COMMERCIAL GRADE  
 APPALACHIAN GATE  
 48" HT X 48" WD -  
 HEAVY DUTY

SIZE	D	DWG NO.	AP-C-48X48-HD	REV	NC
SCALE		DATE	11-26-09	SHEET	1 OF 1

© 2009. This drawing may not be altered or reproduced without the permission of SENTINEL MFG.