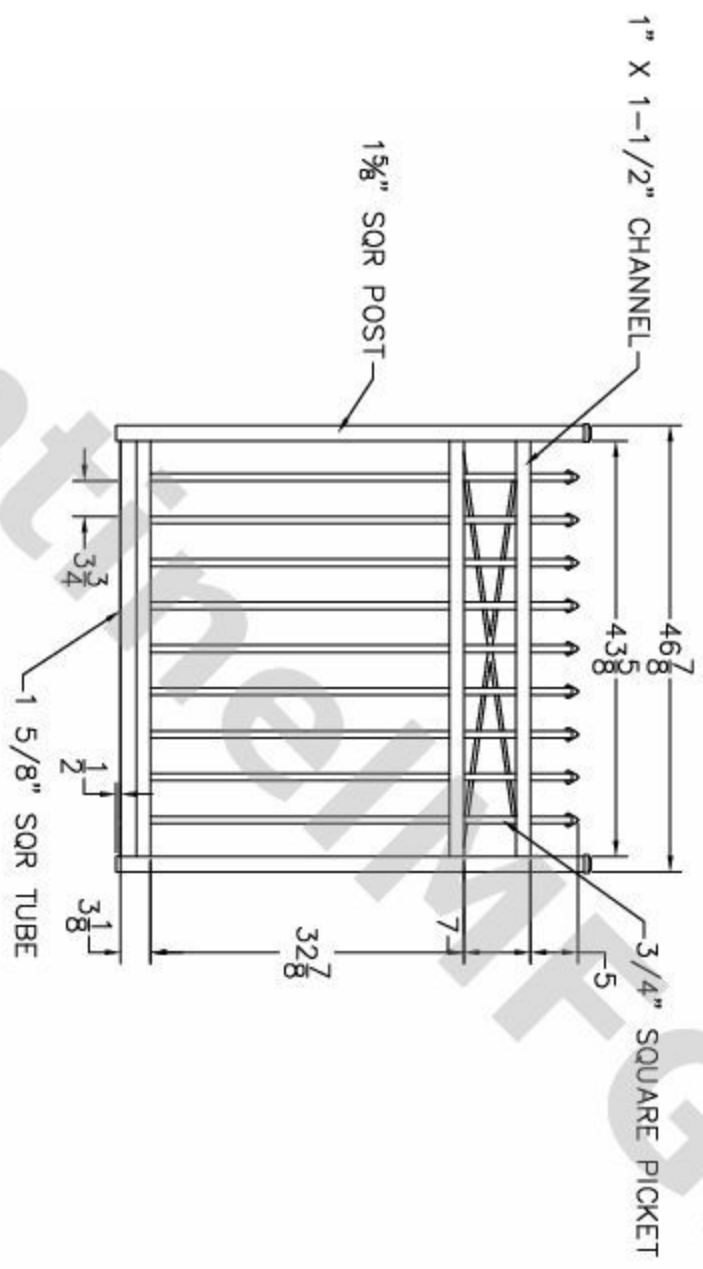


REV	NO	DATE	DESCRIPTION	BY	CHK
-	NC		INITIAL RELEASE		
-	01		CREATED FROM AP-48X48-OR GATE		06-08-12



- NOTES:
1. ALL DIMENSIONS IN INCHES.
  2. INSTALL POSTS PER STANDARD CONSTRUCTION PRACTICES

SENTINEL MFG.  
 1527 NC HWY 711  
 LUMBERTON, NC 28360  
 (910) 735-1351

DRAWING:  
 COMMERCIAL GRADE  
 APPALACHIAN GATE  
 48" HT X 48" WD -  
 SUPER HEAVY DUTY

SIZE	D	DWG NO.	AP-C-48X48-SHD	REV	NC
SCALE		DATE	11-26-09	SHEET	1 OF 1

© 2009. This drawing may not be altered or reproduced without the permission of SENTINEL MFG.