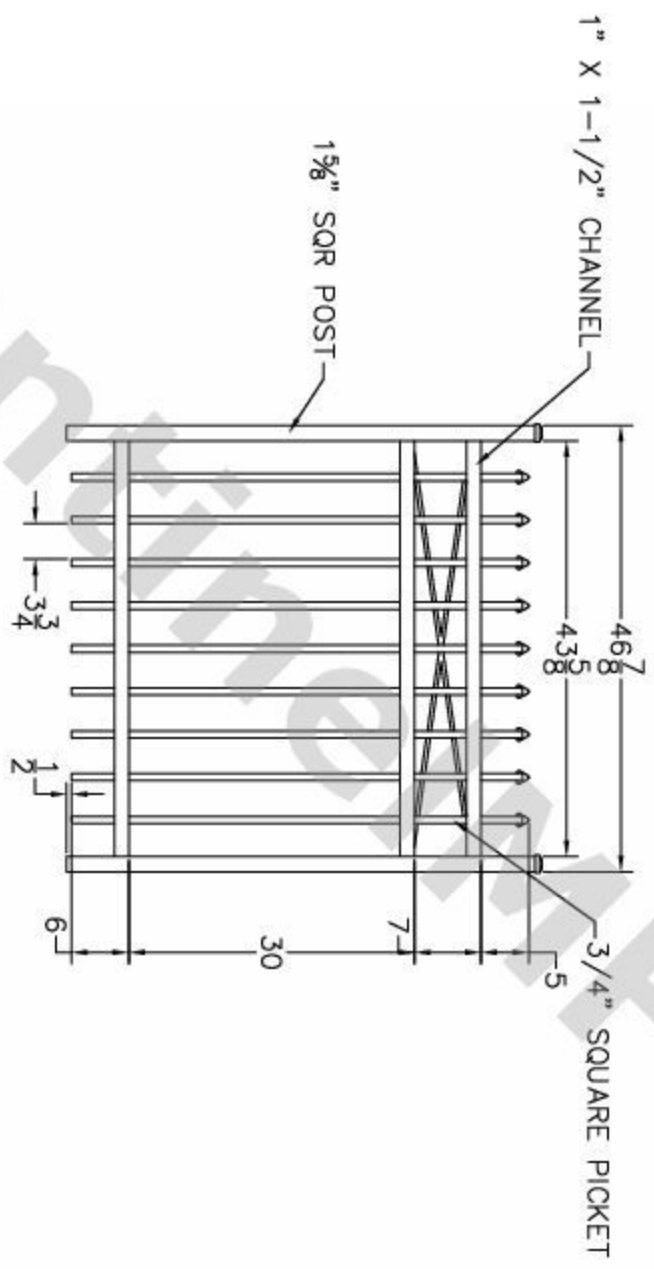


REV	DATE	BY	APP'D
01	06-25-12		
CREATED FROM CA-48X48 GATE			
NC	INITIAL RELEASE		



- NOTES:
1. ALL DIMENSIONS IN INCHES.
  2. INSTALL POSTS PER STANDARD CONSTRUCTION PRACTICES

SENTINEL MFG.  
 1527 NC HWY 711  
 LUMBERTON, NC 28360  
 (910) 735-1351

DRAWING:  
 COMMERCIAL GRADE  
 APPALACHIAN GATE  
 48" HT X 48" WD

SIZE	DWG NO.	REV
D	AP-C-48X48	NC
SCALE	DATE	SHEET
	11-26-09	1 OF 1

© 2009. This drawing may not be altered or reproduced without the permission of SENTINEL MFG.