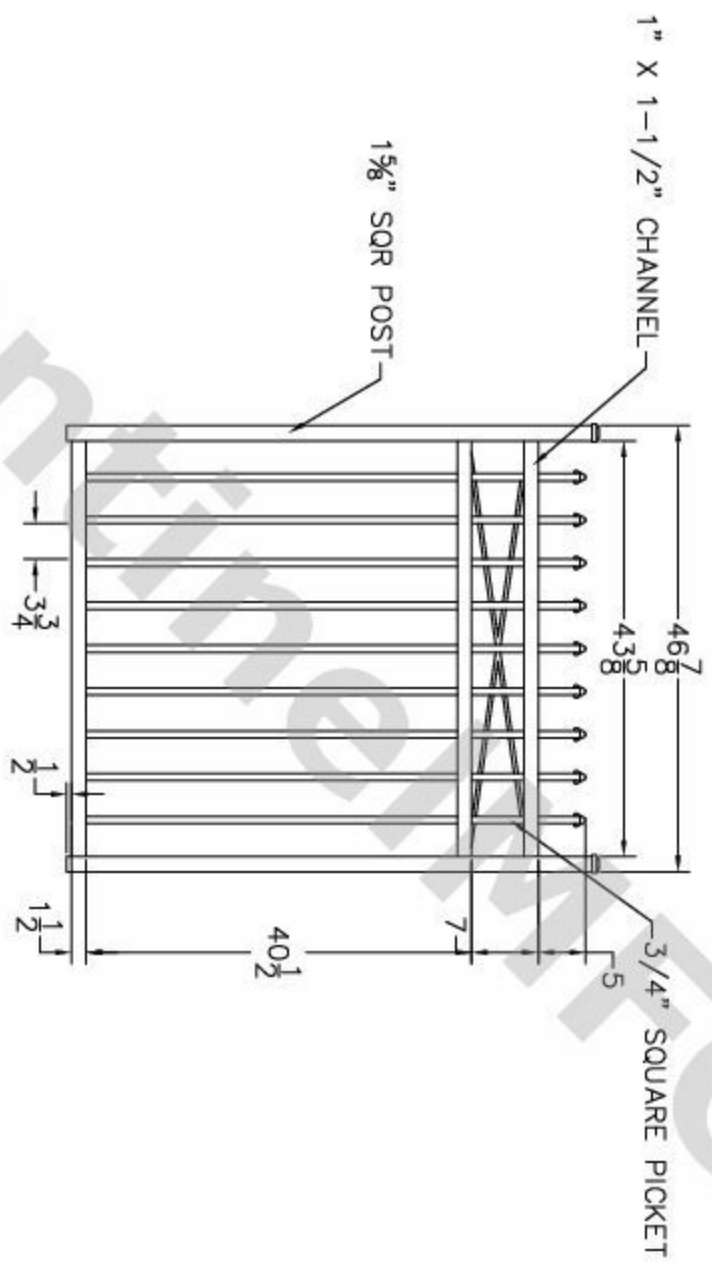


REV	NO	DATE	BY	CHKD
-	NC	INITIAL RELEASE		
-	01	CREATED FROM AP-C-48X48-DR GATE	08/09/13	



- NOTES:
1. ALL DIMENSIONS IN INCHES.
 2. INSTALL POSTS PER STANDARD CONSTRUCTION PRACTICES

SENTINEL MFG.
 1527 NC HWY 711
 LUMBERTON, NC 28360
 (910) 735-1351

DRAWING:
 COMMERCIAL GRADE
 APPALACHIAN GATE
 54" HT X 48" WD-DROP RAIL

SIZE	DWG NO.	DATE	SHEET
D	AP-C-54X48-DR	11-26-09	1 OF 1

© 2009. This drawing may not be altered or reproduced without the permission of SENTINEL MFG.