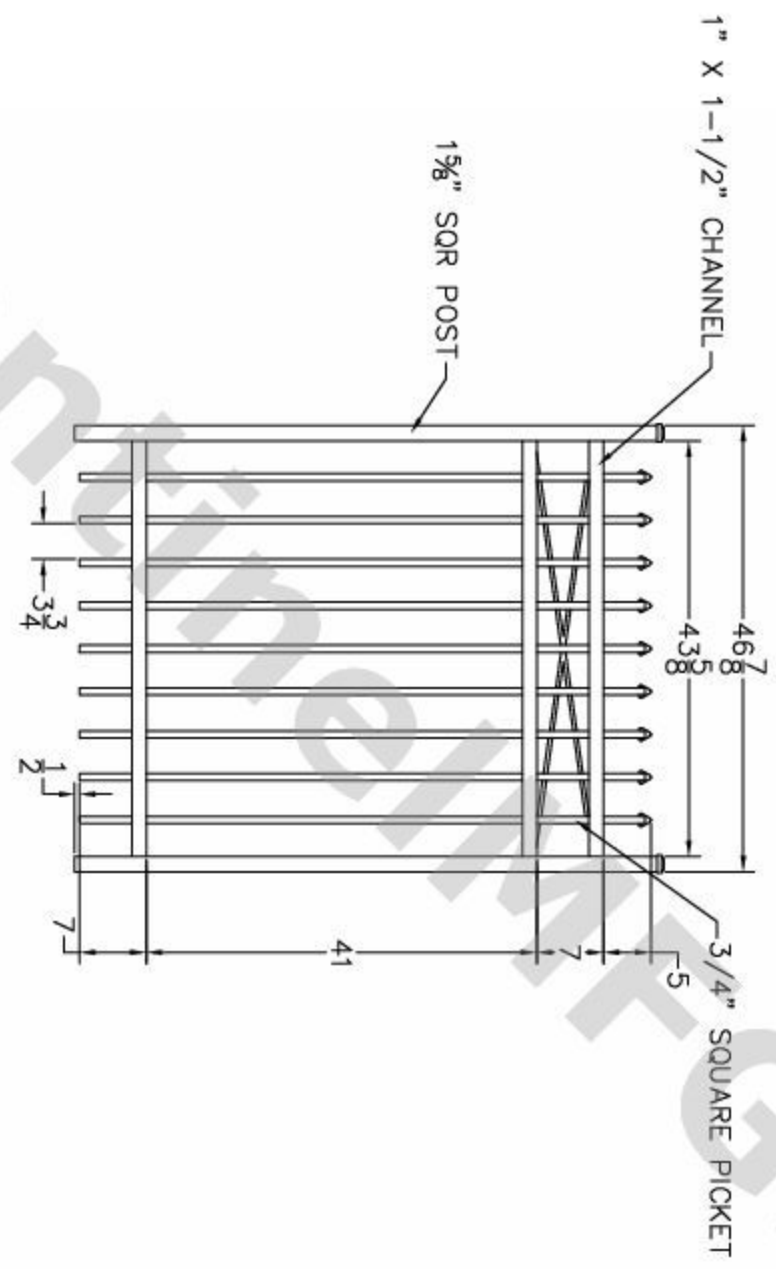


REV	NO	DATE	BY	CHKD	APPV
-	NC				
INITIAL RELEASE					
OR CREATED FROM A/D-DESIGN DATE					
				08-08-13	



- NOTES:
1. ALL DIMENSIONS IN INCHES.
 2. INSTALL POSTS PER STANDARD CONSTRUCTION PRACTICES

SENTINEL MFG.
 1527 NC HWY 711
 LUMBERTON, NC 28360
 (910) 735-1351

DRAWING:
 COMMERCIAL GRADE
 APPALACHIAN GATE
 60" HT X 48" WD

© 2009. This drawing may not be altered or reproduced without the permission of SENTINEL MFG.

