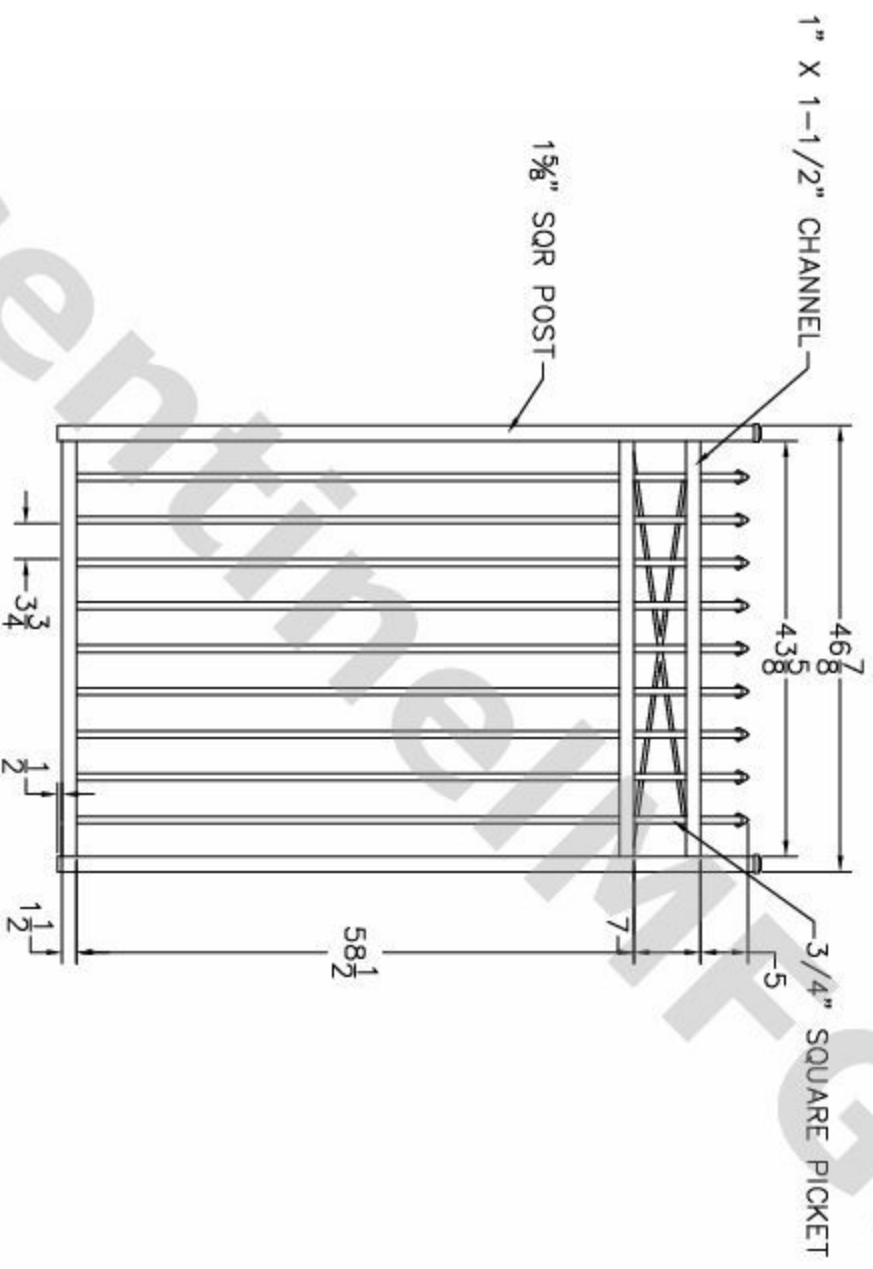


REV	NO	DATE	DESCRIPTION
-	NC		INITIAL RELEASE
-	01		CREATED FROM AFD-80248-DR GATE
			98-08-12



- NOTES:
1. ALL DIMENSIONS IN INCHES.
 2. INSTALL POSTS PER STANDARD CONSTRUCTION PRACTICES

SENTINEL MFG.
 1527 NC HWY 711
 LUMBERTON, NC 28360
 (910) 735-1351

DRAWING:
 COMMERCIAL GRADE
 APPALACHIAN GATE
 72" HT X 48" WD-DROP RAIL

SIZE	D	DWG NO.	AP-C-72X48-DR	REV	NC
SCALE		DATE	11-26-09	SHEET	1 OF 1

@ 2009. This drawing may not be altered or reproduced without the permission of SENTINEL MFG.