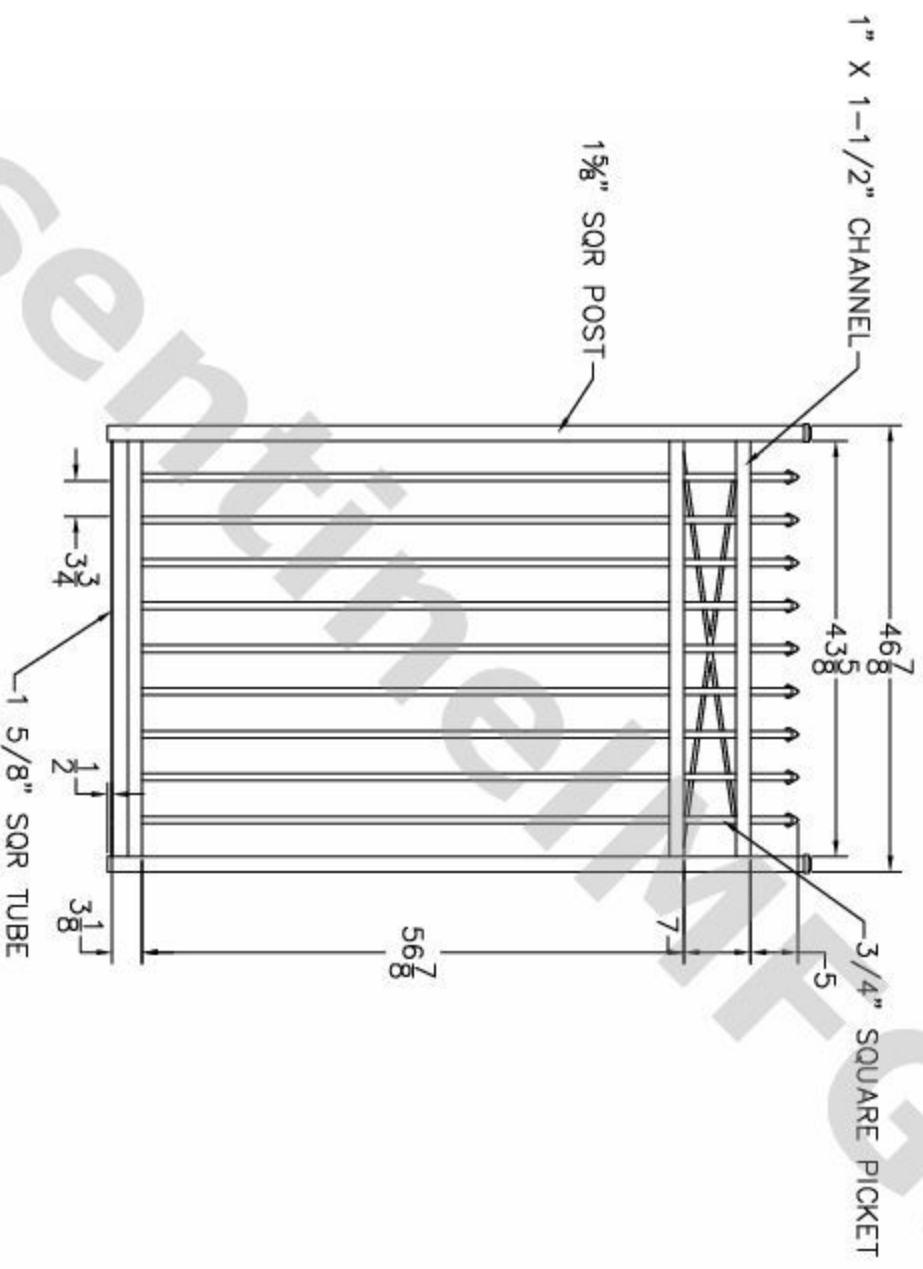


REV	NO	DATE	BY	CHK	APP
-	NC				
INITIAL RELEASE					
OR CREATED FROM A ² -BOXES-OR GATE					
				06-08-12	



- NOTES:
1. ALL DIMENSIONS IN INCHES.
 2. INSTALL POSTS PER STANDARD CONSTRUCTION PRACTICES

SENTINEL MFG.
 1527 NC HWY 711
 LUMBERTON, NC 28360
 (910) 735-1351

DRAWING:
 COMMERCIAL GRADE
 APPALACHIAN GATE
 72" HT X 48" WD -
 SUPER HEAVY DUTY

SIZE	D	DWG NO.	AP-C-72X48-SHD	REV	NC
SCALE		DATE	11-26-09	SHEET	1 OF 1

© 2009. This drawing may not be altered or reproduced without the permission of SENTINEL MFG.