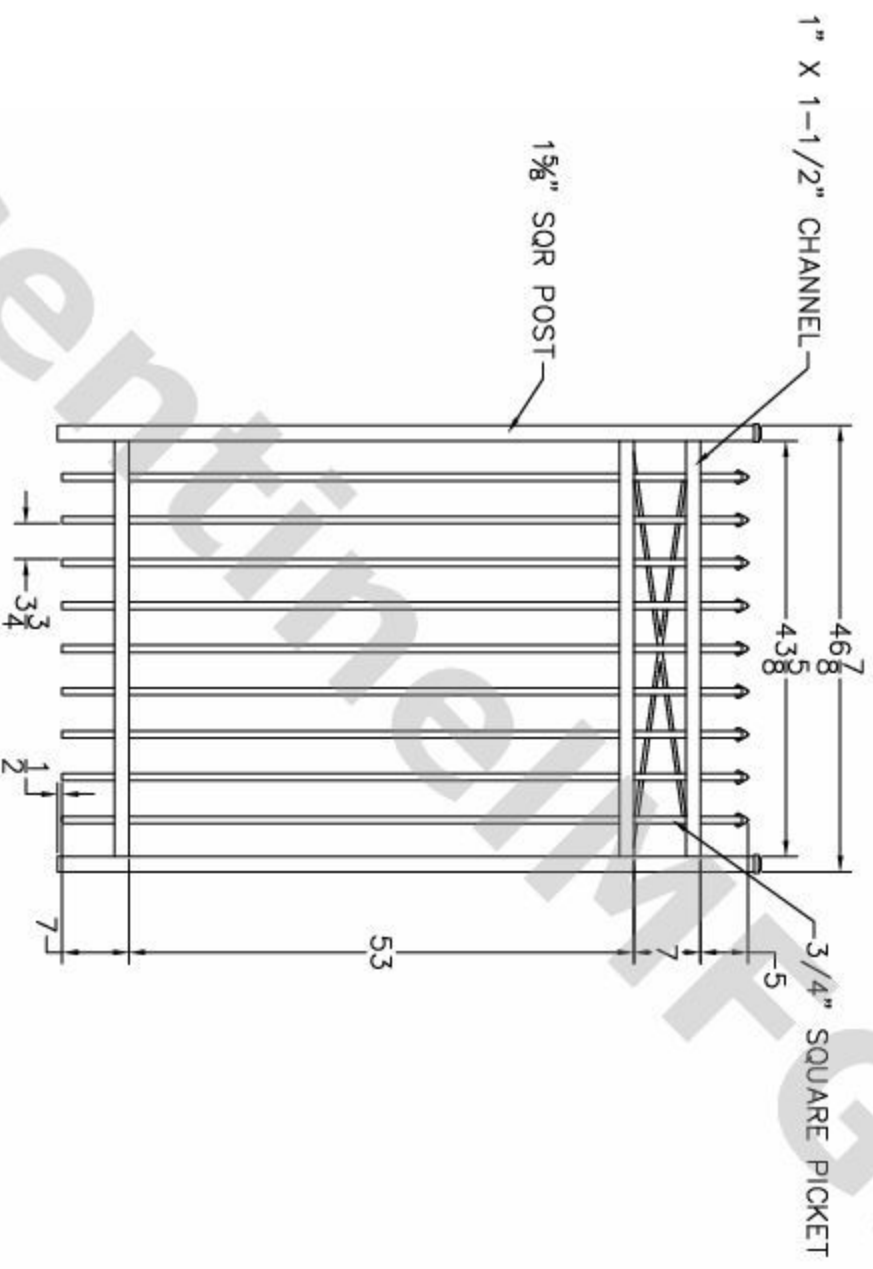


REV	NO	DATE	DESCRIPTION	BY	CHK
-	NC		INITIAL RELEASE		
-	01		CREATED FROM A4-80248 GATE		08-08-13



- NOTES:
1. ALL DIMENSIONS IN INCHES.
 2. INSTALL POSTS PER STANDARD CONSTRUCTION PRACTICES

SENTINEL MFG.
 1527 NC HWY 711
 LUMBERTON, NC 28360
 (910) 735-1351

DRAWING:
 COMMERCIAL GRADE
 APPALACHIAN GATE
 72" HT X 48" WD

SIZE	DWG NO.	REV
D	AP-C-72X48	NC
SCALE	DATE	SHEET
	11-26-09	1 OF 1

@ 2009. This drawing may not be altered or reproduced without the permission of SENTINEL MFG.