

REV	NO	DATE	DESCRIPTION
1	NC	08-21-12	INITIAL RELEASE
2	OT		CREATED FROM CA-48X48 GATE

Picket Lengths:

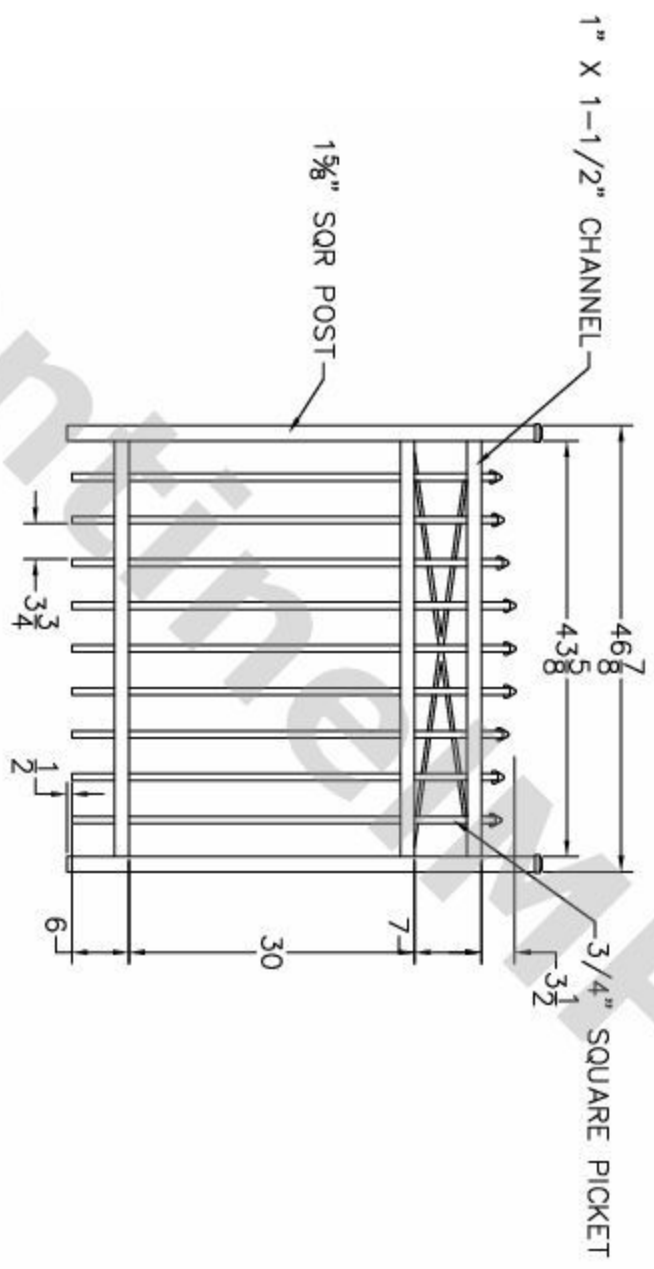
- 1ST: 45.0
- 2ND: 45.25
- 3RD: 45.75
- 4TH: 46.5
- 5TH: 46.5

- NOTES:
1. ALL DIMENSIONS IN INCHES.
  2. INSTALL POSTS PER STANDARD CONSTRUCTION PRACTICES

SENTINEL MFG.  
 1527 NC HWY 711  
 LUMBERTON, NC 28360  
 (910) 735-1351

DRAWING:  
 COMMERCIAL GRADE  
 CASTLE GATE  
 48" HT X 48" WD

SIZE	DWG NO.	REV
D	CS-C-48X48	NC
SCALE	DATE	SHEET
	11-26-09	1 OF 1



© 2009. This drawing may not be altered or reproduced without the permission of SENTINEL MFG.