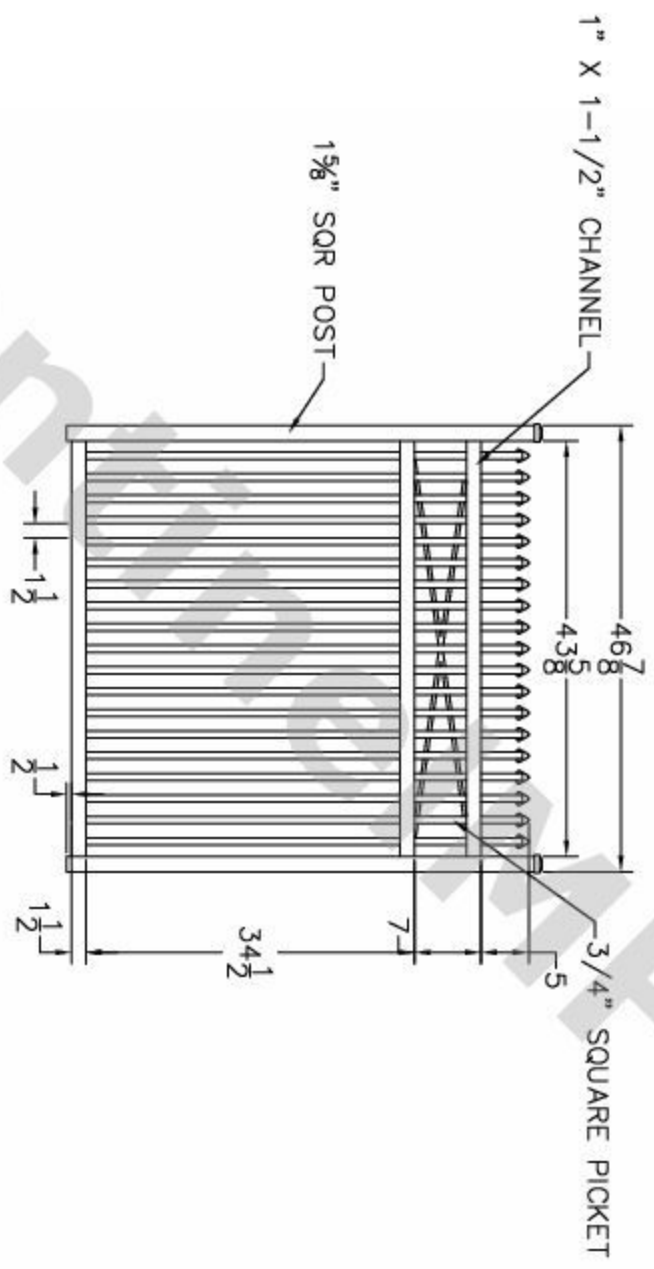


REV	NO	DESCRIPTION	DATE
-	NC	INITIAL RELEASE	06-31-18
-	01	CREATED FROM XP-C-48X48-AP	



- NOTES:
1. ALL DIMENSIONS IN INCHES.
 2. INSTALL POSTS PER STANDARD CONSTRUCTION PRACTICES

SENTINEL MFG.
 1527 NC HWY 711
 LUMBERTON, NC 28360
 (910) 735-1351

DRAWING:
 COMMERCIAL GRADE
 EXTRA PICKET GATE
 48" HT X 48" WD
 APPALACHIAN - DROP RAIL

SIZE	DWG NO.	DATE	SHEET	REV
D	XP-C-48X48-AP-DR	11-26-09	1 OF 1	NC

© 2009. This drawing may not be altered or reproduced without the permission of SENTINEL MFG.