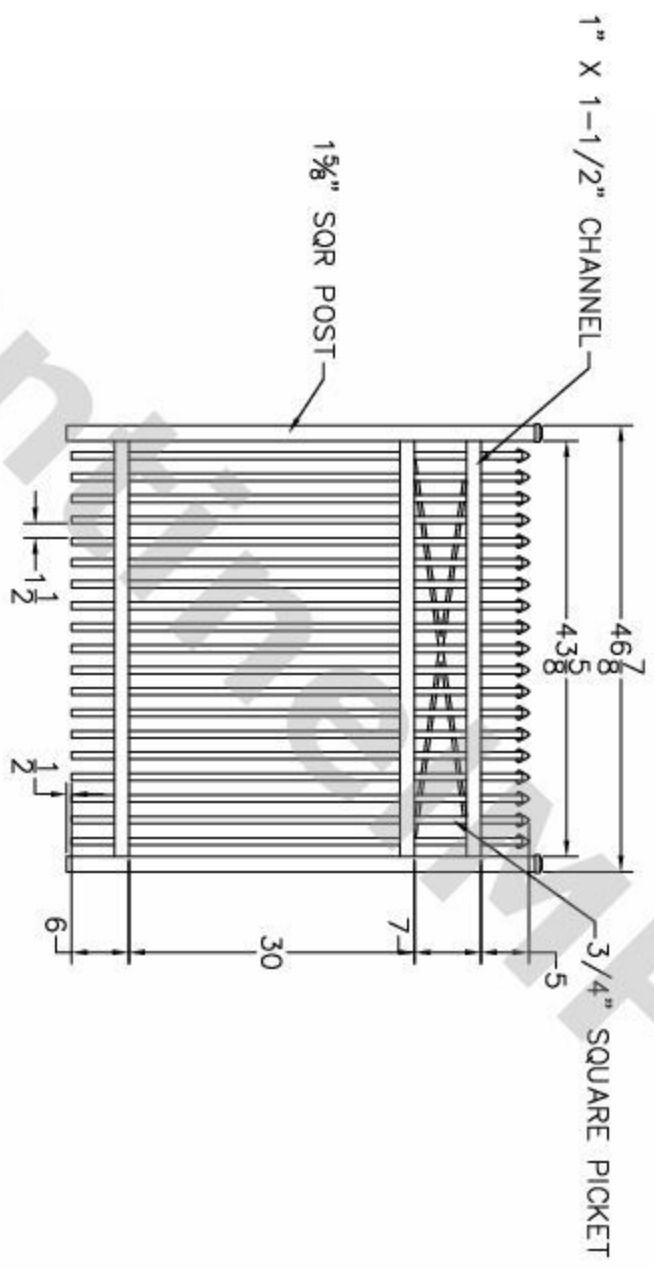


REV	NO	DATE	BY	CHKD
-	NC	INITIAL RELEASE		
-	01	CREATED FROM AP-C-48X48 GATE	08-25-18	



- NOTES:
1. ALL DIMENSIONS IN INCHES.
  2. INSTALL POSTS PER STANDARD CONSTRUCTION PRACTICES

SENTINEL MFG.  
 1527 NC HWY 711  
 LUMBERTON, NC 28360  
 (910) 735-1351

DRAWING:  
 COMMERCIAL GRADE  
 EXTRA PICKET GATE  
 48"HT X 48"WD-APPALACHIAN

SIZE	DWG NO	DATE	SHEET	REV
D	XP-C-48X48-AP	11-26-09	1 OF 1	NC

© 2009. This drawing may not be altered or reproduced without the permission of SENTINEL MFG.