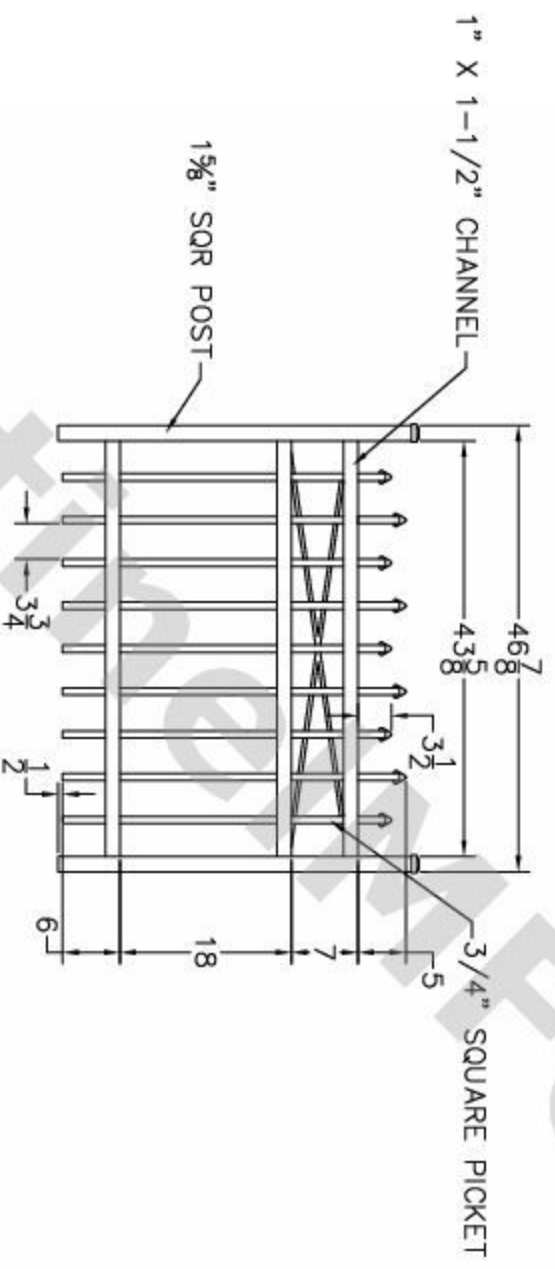


REV	NO	DESCRIPTION	DATE	BY	APP'D
-	NC	INITIAL RELEASE			
-	01	CREATED FROM MA-48X48 GATE	08-28-12		



- NOTES:
1. ALL DIMENSIONS IN INCHES.
 2. INSTALL POSTS PER STANDARD CONSTRUCTION PRACTICES

SENTINEL MFG.
 1527 NC HWY 711
 LUMBERTON, NC 28360
 (910) 735-1351

DRAWING:
 COMMERCIAL GRADE
 MANHATTAN GATE
 36" HT X 48" WD

SIZE	D	DWG NO.	MA-C-36X48	REV	NC
SCALE		DATE	11-26-09	SHEET	1 OF 1

@ 2009. This drawing may not be altered or reproduced without the permission of SENTINEL MFG.