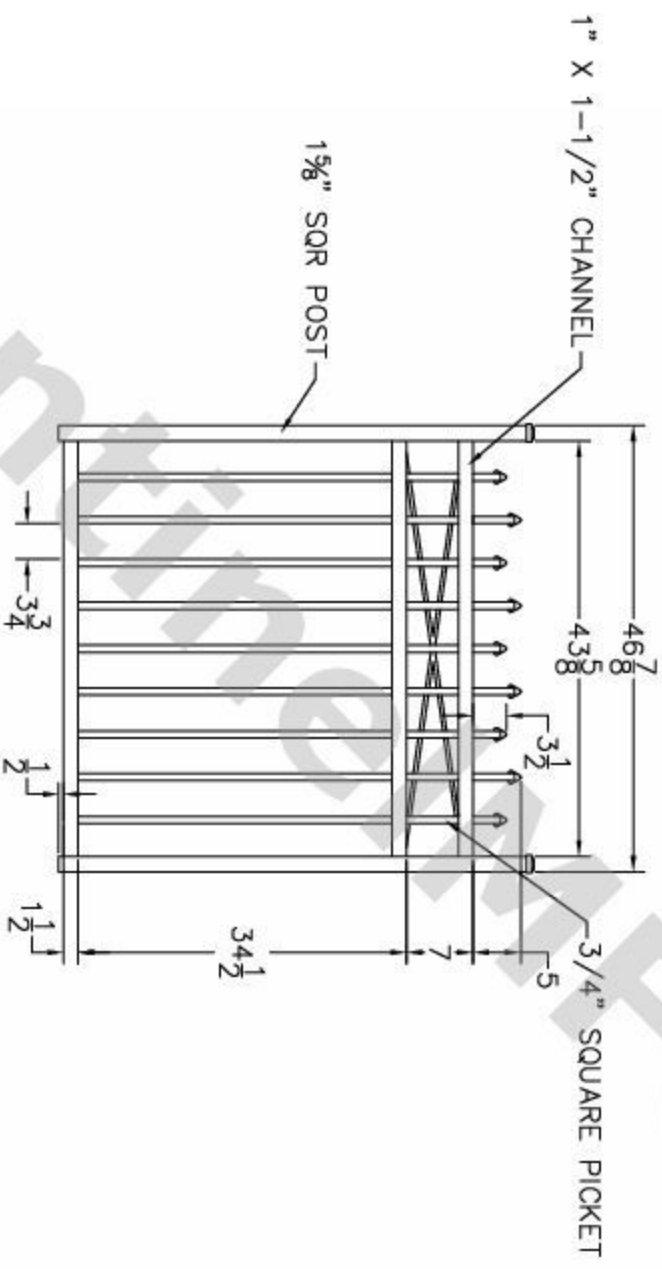


REV	NO	DESCRIPTION	DATE
-	NC	INITIAL RELEASE	08-31-18
-	01	CREATED FROM MA-48X48 GATE	



- NOTES:
1. ALL DIMENSIONS IN INCHES.
  2. INSTALL POSTS PER STANDARD CONSTRUCTION PRACTICES

SENTINEL MFG.  
 1527 NC HWY 711  
 LUMBERTON, NC 28360  
 (910) 735-1351

DRAWING:  
 COMMERCIAL GRADE  
 MANHATTAN GATE  
 48" HT X 48" WD-DROP RAIL

SIZE	DWG NO.	DATE	SHEET	REV
D	MA-C-48X48-DR	11-26-09	1 OF 1	NC

© 2009. This drawing may not be altered or reproduced without the permission of SENTINEL MFG.