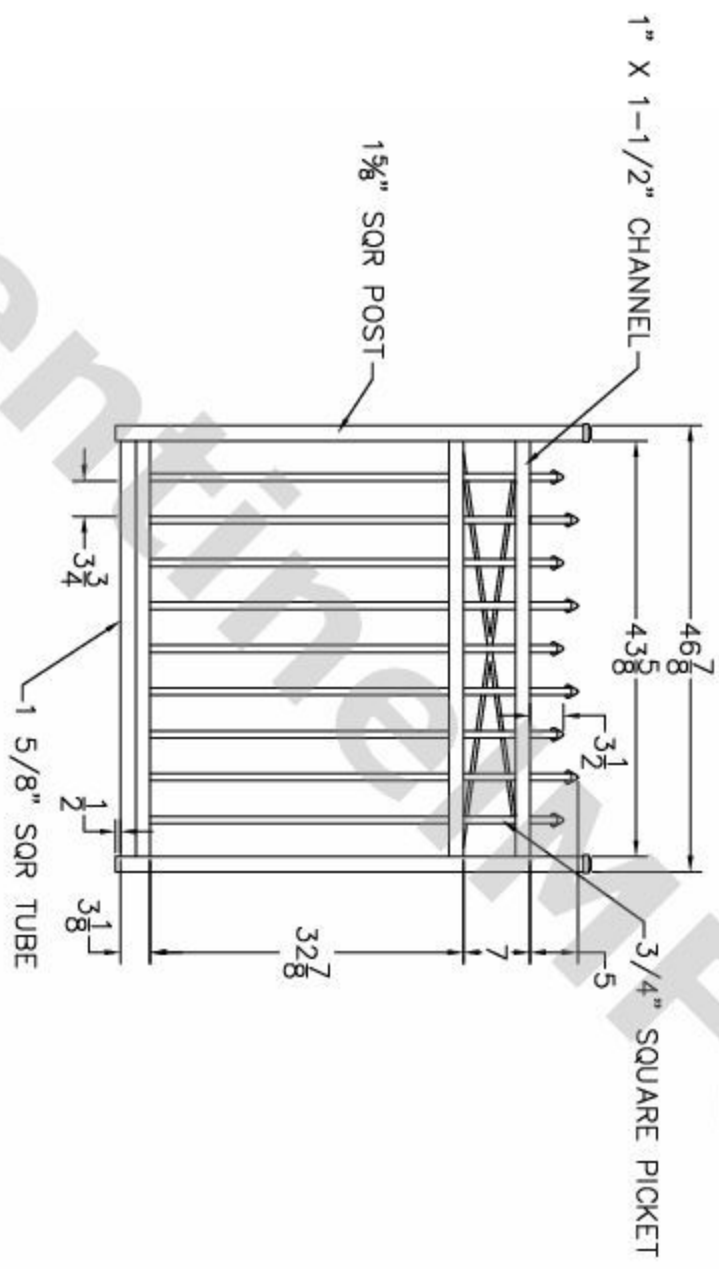


| | | | | | |
|-----|----|-------------------------------|----------|----|-------|
| REV | NO | DESCRIPTION | DATE | BY | APP'D |
| - | NC | INITIAL RELEASE | | | |
| - | 01 | CREATED FROM MA-48X48-OR GATE | 08-08-12 | | |



- NOTES:
1. ALL DIMENSIONS IN INCHES.
 2. INSTALL POSTS PER STANDARD CONSTRUCTION PRACTICES

SENTINEL MFG.
 1527 NC HWY 711
 LUMBERTON, NC 28360
 (910) 735-1351

DRAWING:
 COMMERCIAL GRADE
 MANHATTAN GATE
 48" HT X 48" WD -
 SUPER HEAVY DUTY

| | | | | | |
|-------|---|---------|----------------|-------|--------|
| SIZE | D | DWG NO. | MA-C-48X48-SHD | REV | NC |
| SCALE | | DATE | 11-26-09 | SHEET | 1 OF 1 |

© 2009. This drawing may not be altered or reproduced without the permission of SENTINEL MFG.