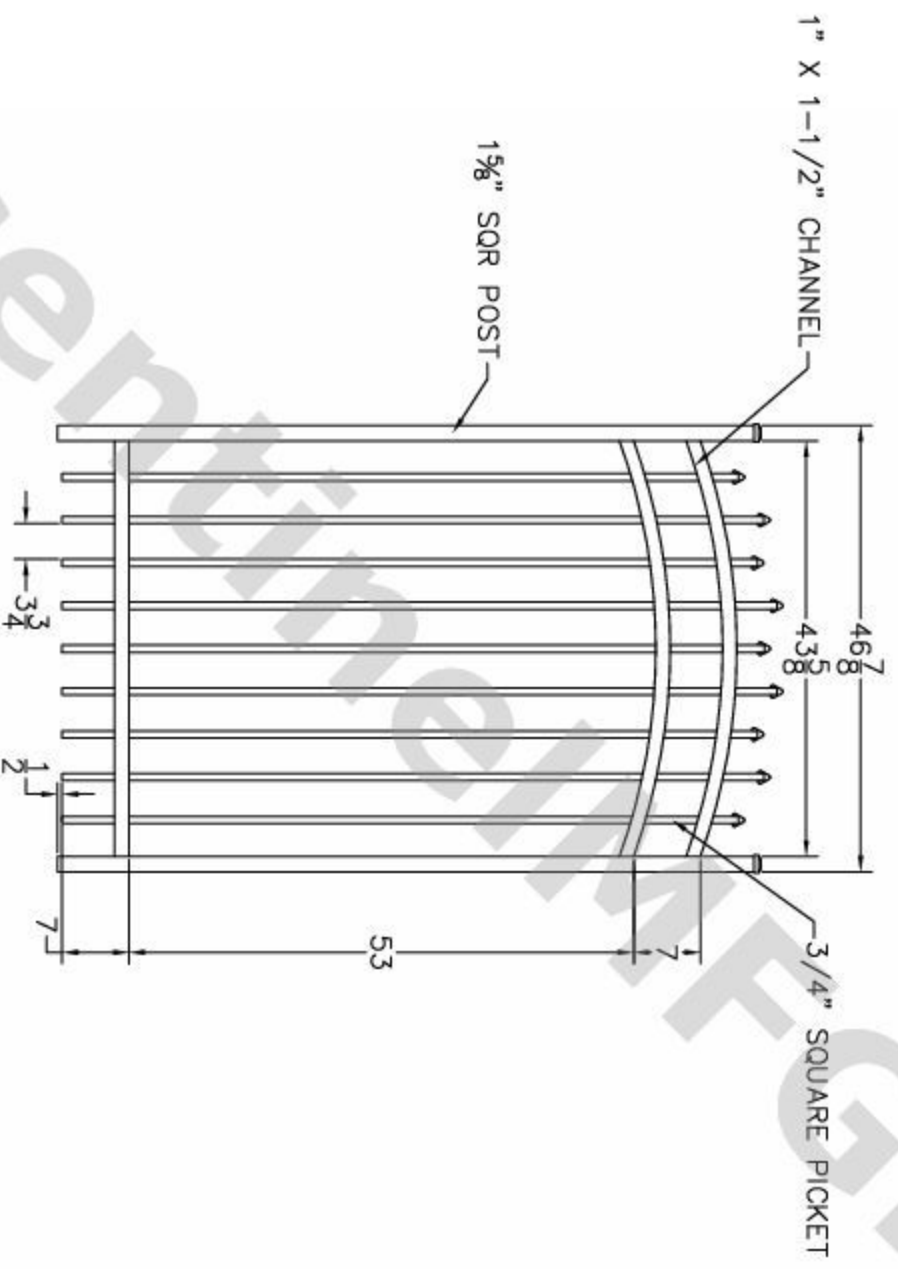


REV	NO	DATE	BY	CHKD	APP'D
-	NC				
01	INITIAL RELEASE				
	CREATED FROM MA-72X48 GATE				
				08-07-12	



- NOTES:
1. ALL DIMENSIONS IN INCHES.
 2. INSTALL POSTS PER STANDARD CONSTRUCTION PRACTICES

SENTINEL MFG.
 1527 NC HWY 711
 LUMBERTON, NC 28360
 (910) 735-1351

DRAWING:
 COMMERCIAL GRADE
 MANHATTAN GATE
 72" HT X 48" WD-ARCHED

SIZE	DWG NO.	DATE	SHEET	REV
D	M/A-C-72X48-AR	11-26-09	1 OF 1	NC

© 2009. This drawing may not be altered or reproduced without the permission of SENTINEL MFG.