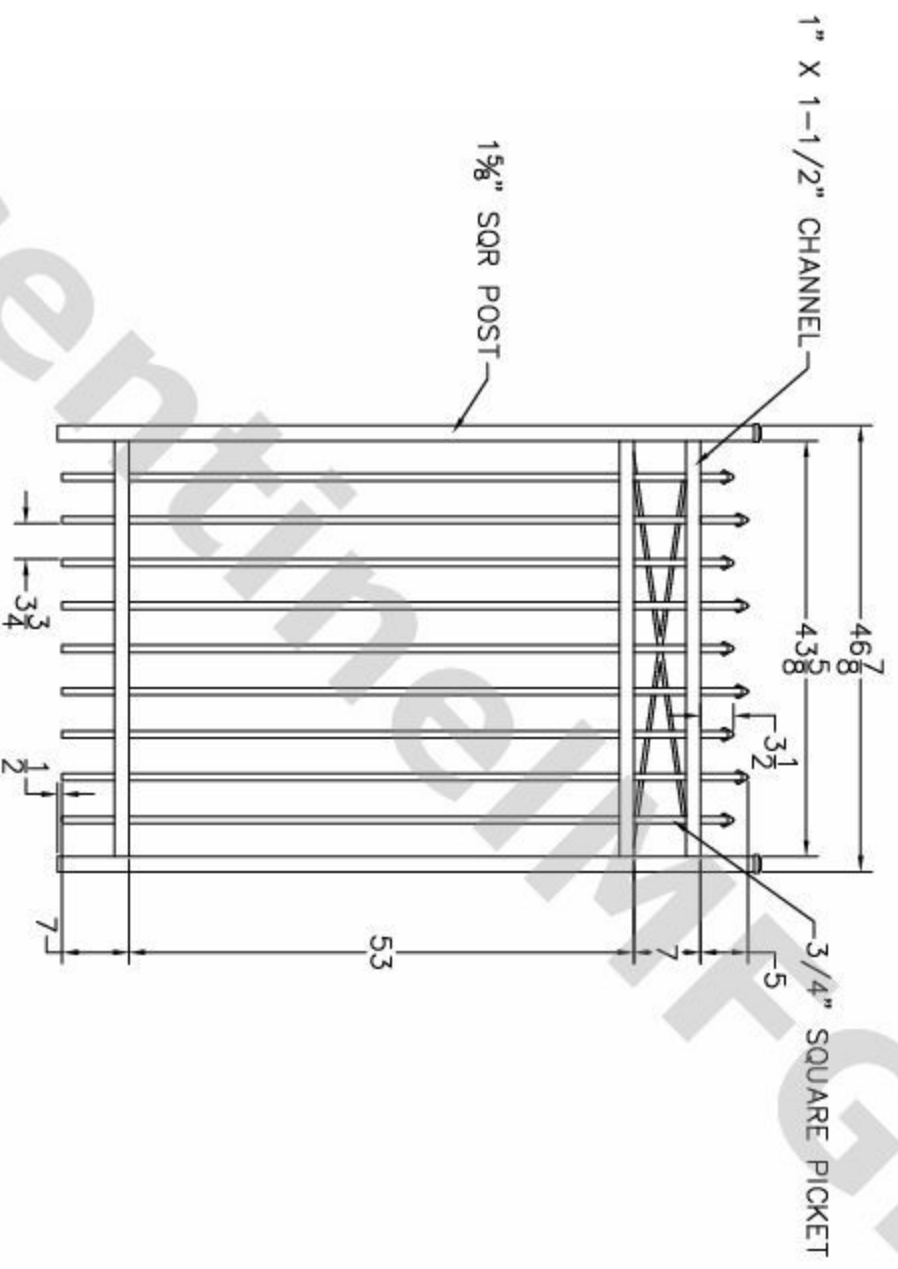


REV	NO	DESCRIPTION	DATE
-	NC	INITIAL RELEASE	08-28-12
-	01	CREATED FROM MA-50548 GATE	



- NOTES:
1. ALL DIMENSIONS IN INCHES.
 2. INSTALL POSTS PER STANDARD CONSTRUCTION PRACTICES

SENTINEL MFG.
 1527 NC HWY 711
 LUMBERTON, NC 28360
 (910) 735-1351

DRAWING:
 COMMERCIAL GRADE
 MANHATTAN GATE
 72" HT X 48" WD

SIZE	DWG NO.	REV
D	MA-C-72X48	NC
SCALE	DATE	SHEET
	11-26-09	1 OF 1

© 2009. This drawing may not be altered or reproduced without the permission of SENTINEL MFG.