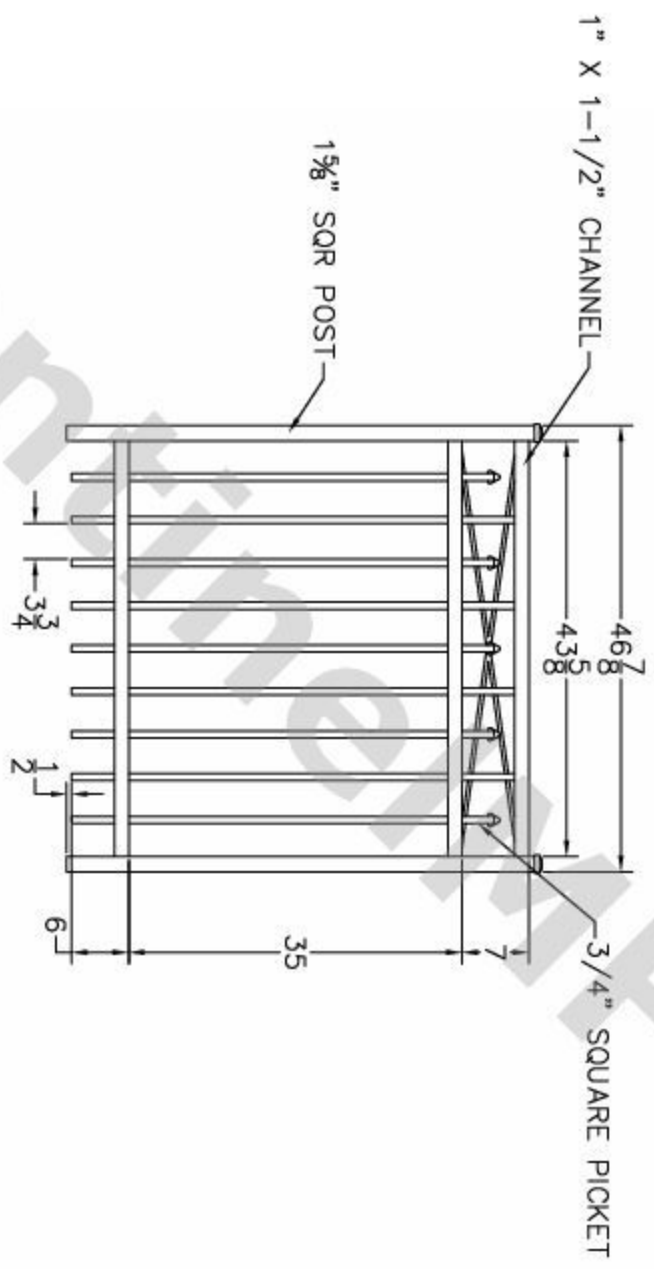


REV	NO	DATE	BY	APP'D
-	NC	08-25-18		
INITIAL RELEASE		CREATED FROM 48"-48X48 GATE		
01				



- NOTES:
1. ALL DIMENSIONS IN INCHES.
 2. INSTALL POSTS PER STANDARD CONSTRUCTION PRACTICES

SENTINEL MFG.
 1527 NC HWY 711
 LUMBERTON, NC 28360
 (910) 735-1351

DRAWING:
 COMMERCIAL GRADE
 OUTBACK GATE
 48" HT X 48" WD

SIZE	DWG NO.	REV
D	OU-C-48X48	NC
SCALE	DATE	SHEET
	11-26-09	1 OF 1

© 2009. This drawing may not be altered or reproduced without the permission of SENTINEL MFG.