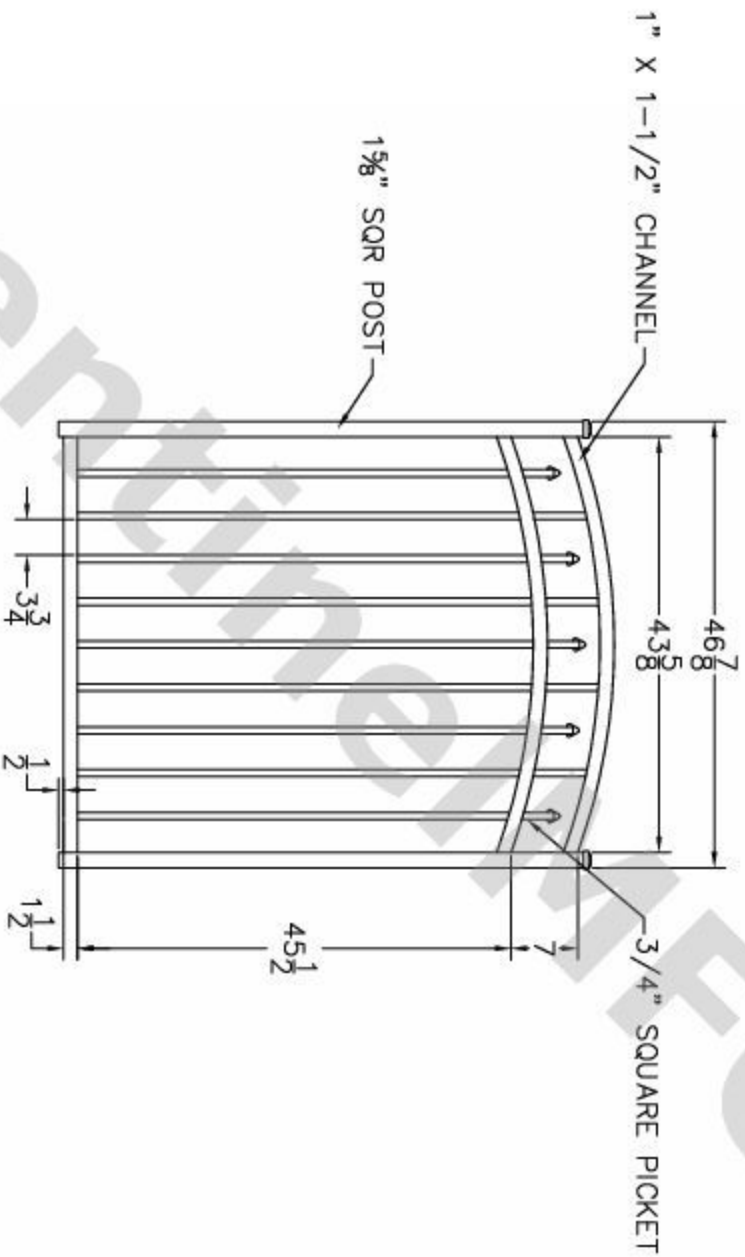


REV	NO	DESCRIPTION	DATE	BY	APP'D
-	NC	INITIAL RELEASE	08-31-12		
-	01	CREATED FROM OU-48X48 GATE			



- NOTES:
1. ALL DIMENSIONS IN INCHES.
 2. INSTALL POSTS PER STANDARD CONSTRUCTION PRACTICES

SENTINEL MFG.
 1527 NC HWY 711
 LUMBERTON, NC 28360
 (910) 735-1351

DRAWINGS:
 COMMERCIAL GRADE
 OUTBACK GATE
 54" HT X 48" WD
 ARCHED - DROP RAIL

SIZE	DWG NO.	DATE	SHEET	REV
D	OU-C-54X48-AR-DR	11-26-09	1 OF 1	NC

© 2009. This drawing may not be altered or reproduced without the permission of SENTINEL MFG.