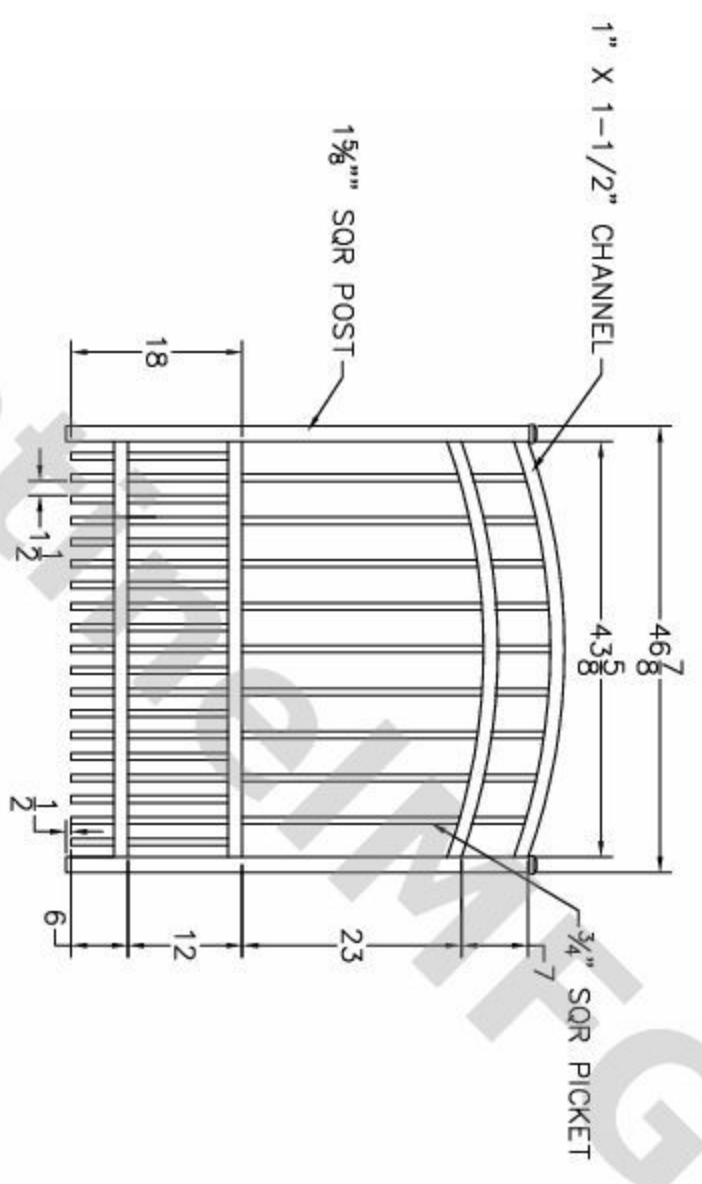


REV	NO	DESCRIPTION	DATE	BY	CHKD
-	NC	INITIAL RELEASE			
-	01	CHANGE FROM PP-C-48X48-SI	09/05/13		



OUTSIDE VIEW

- NOTES:
1. ALL DIMENSIONS IN INCHES.
 2. INSTALL POSTS PER STANDARD CONSTRUCTION PRACTICES

SENTINEL MFG.
 1527 NC HWY 711
 LUMBERTON, NC 28360
 (910) 735-1351

DRAWING:
 COMMERCIAL GRADE
 PUPPY PICKET GATE
 48" HTX48" WD-SIERRA ARCHED

SIZE	D	DWG NO.	PP-C-48X48-SI-AR	REV	NC
SCALE		DATE	04-06-09	SHEET	1 OF 1

© 2009. This drawing may not be altered or reproduced without the permission of SENTINEL MFG.