

REV	DATE	BY	APP'D
01	08-12-12		
NC INITIAL RELEASE		CREATED FROM SF-C-48X48 GATE	

Picket Lengths:

- 1ST: 48.75
- 2ND: 46.5
- 3RD: 45.75
- 4TH: 45.25
- 5TH: 45.0

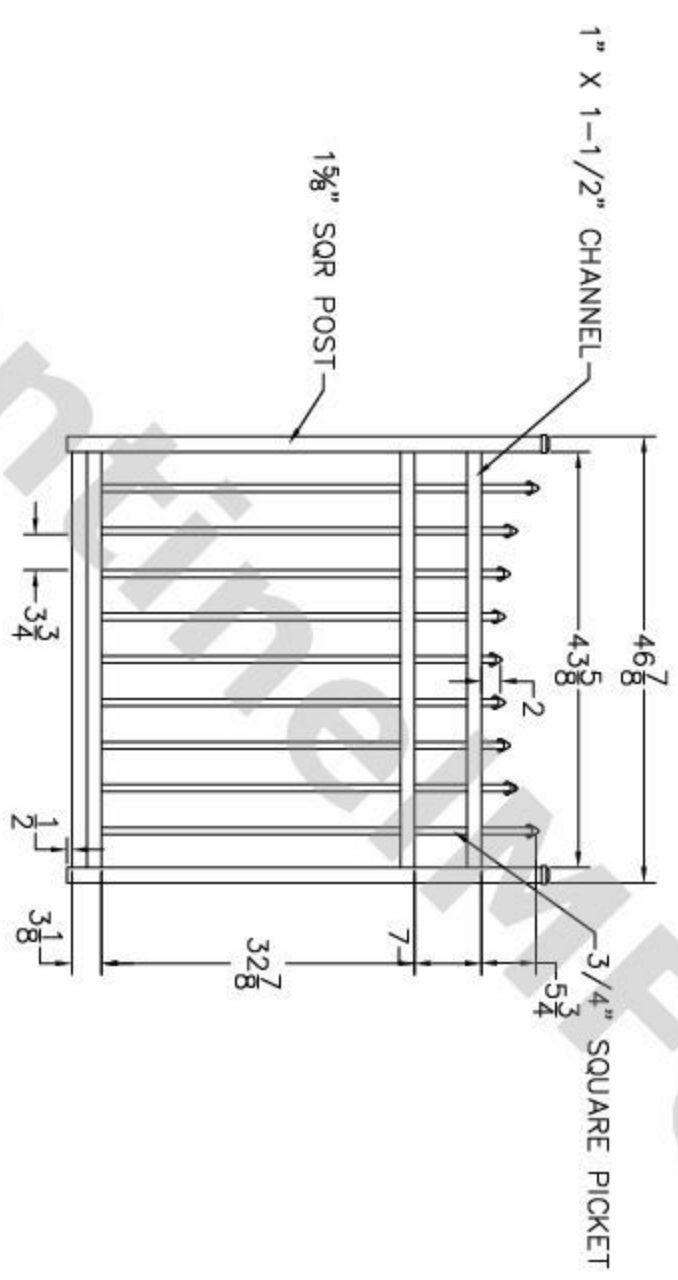
NOTES:

1. ALL DIMENSIONS IN INCHES.
2. INSTALL POSTS PER STANDARD CONSTRUCTION PRACTICES

SENTINEL MFG.  
 1527 NC HWY 711  
 LUMBERTON, NC 28360  
 (910) 735-1351

DRAWING:  
 COMMERCIAL GRADE  
 SAN FRAN GATE  
 48" HT X 48" WD  
 HEAVY DUTY

SIZE	DWG NO.	REV
D	SF-C-48X48-HD	NC
SCALE	DATE	SHEET
	11-26-09	1 OF 1



© 2009. This drawing may not be altered or reproduced without the permission of SENTINEL MFG.