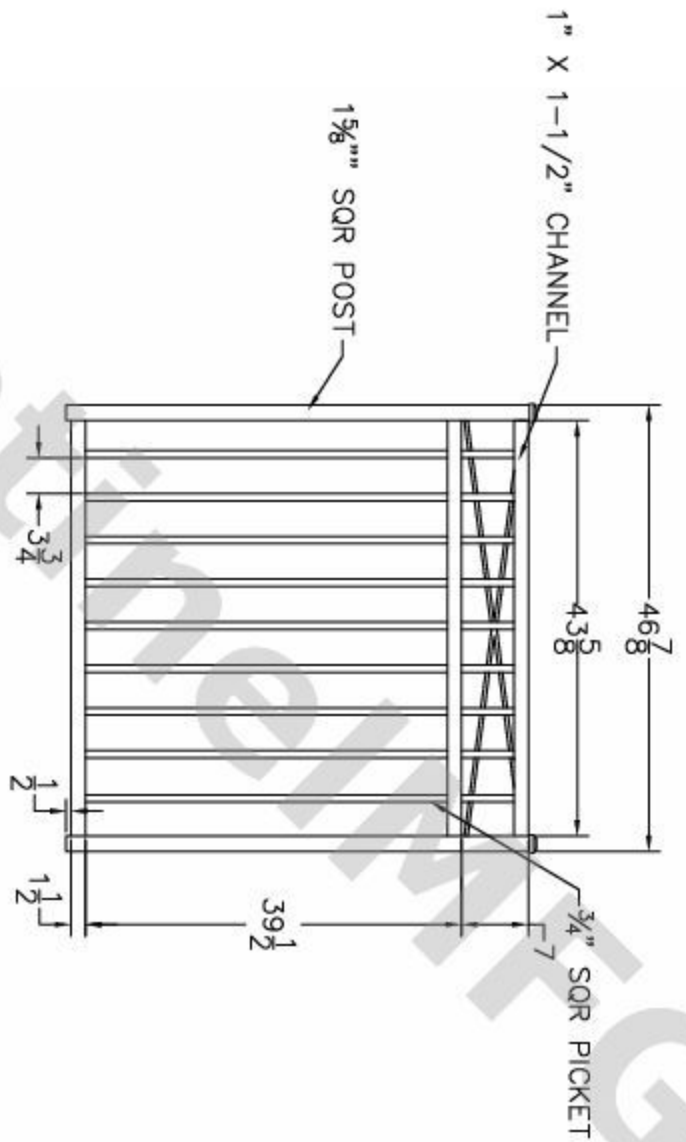


REV	NO	DESCRIPTION	DATE
-	NC	INITIAL RELEASE	06/04/13
-	01	CHANGE FROM SI-C-48X48-SID	



OUTSIDE VIEW

- NOTES:
1. ALL DIMENSIONS IN INCHES.
 2. INSTALL POSTS PER STANDARD CONSTRUCTION PRACTICES

SENTINEL MFG.
 1527 NC HWY 711
 LUMBERTON, NC 28360
 (910) 735-1351

DRAWING:
 COMMERCIAL GRADE
 SIERRA GATE
 48" HT X 48" WD - DROP RAIL

SIZE	DWG NO.	REV
D	SI-C-48X48-DR	NC
SCALE	DATE	SHEET
	04-06-09	1 OF 1

© 2009. This drawing may not be altered or reproduced without the permission of SENTINEL MFG.