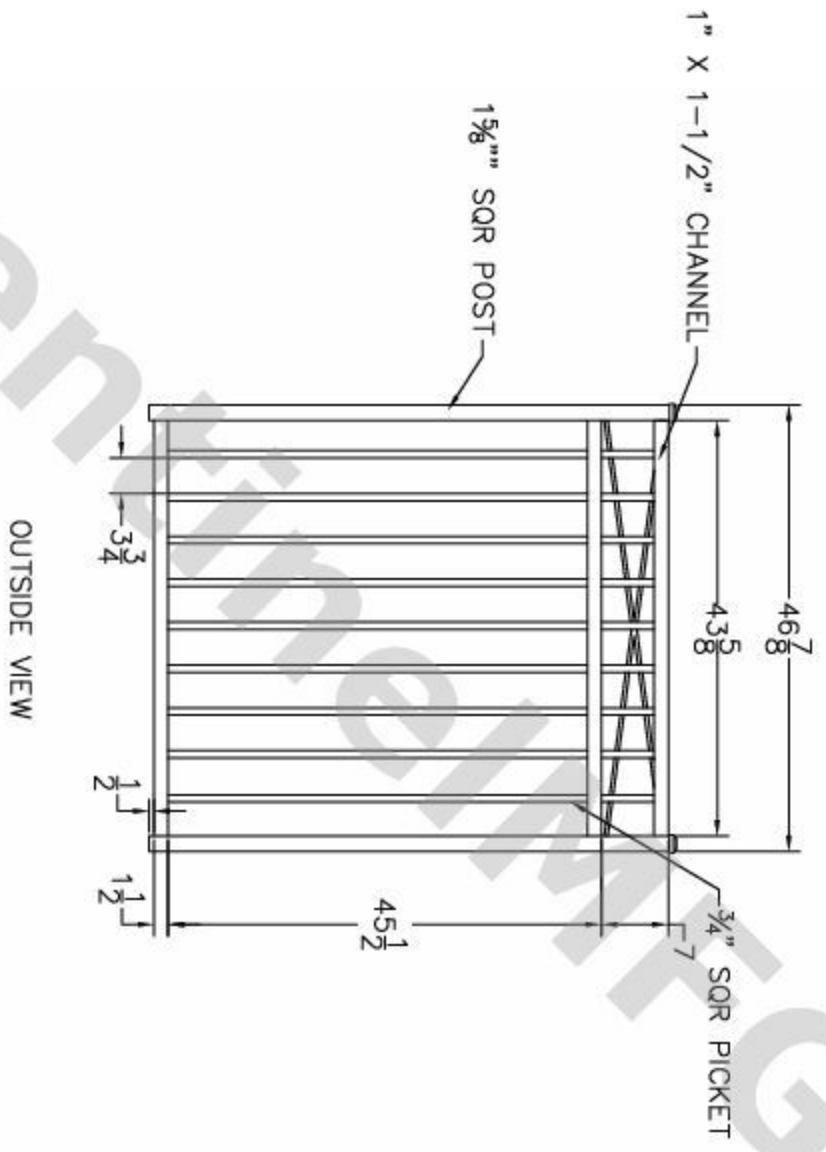


REV	NO	DESCRIPTION	DATE
-	NC	INITIAL RELEASE	06/04/13
-	DT	CREATE FROM SI-C-4848-DR	



OUTSIDE VIEW

- NOTES:
1. ALL DIMENSIONS IN INCHES.
  2. INSTALL POSTS PER STANDARD CONSTRUCTION PRACTICES

SENTINEL MFG.  
 1527 NC HWY 711  
 LUMBERTON, NC 28360  
 (910) 735-1351

DRAWING:  
 COMMERCIAL GRADE  
 SIERRA GATE  
 54" HT X 48" WD - DROP RAIL

SIZE	DWG NO.	REV
D	SI-C-54X48-DR	NC
SCALE	DATE	SHEET
	04-06-09	1 OF 1

© 2009. This drawing may not be altered or reproduced without the permission of SENTINEL MFG.