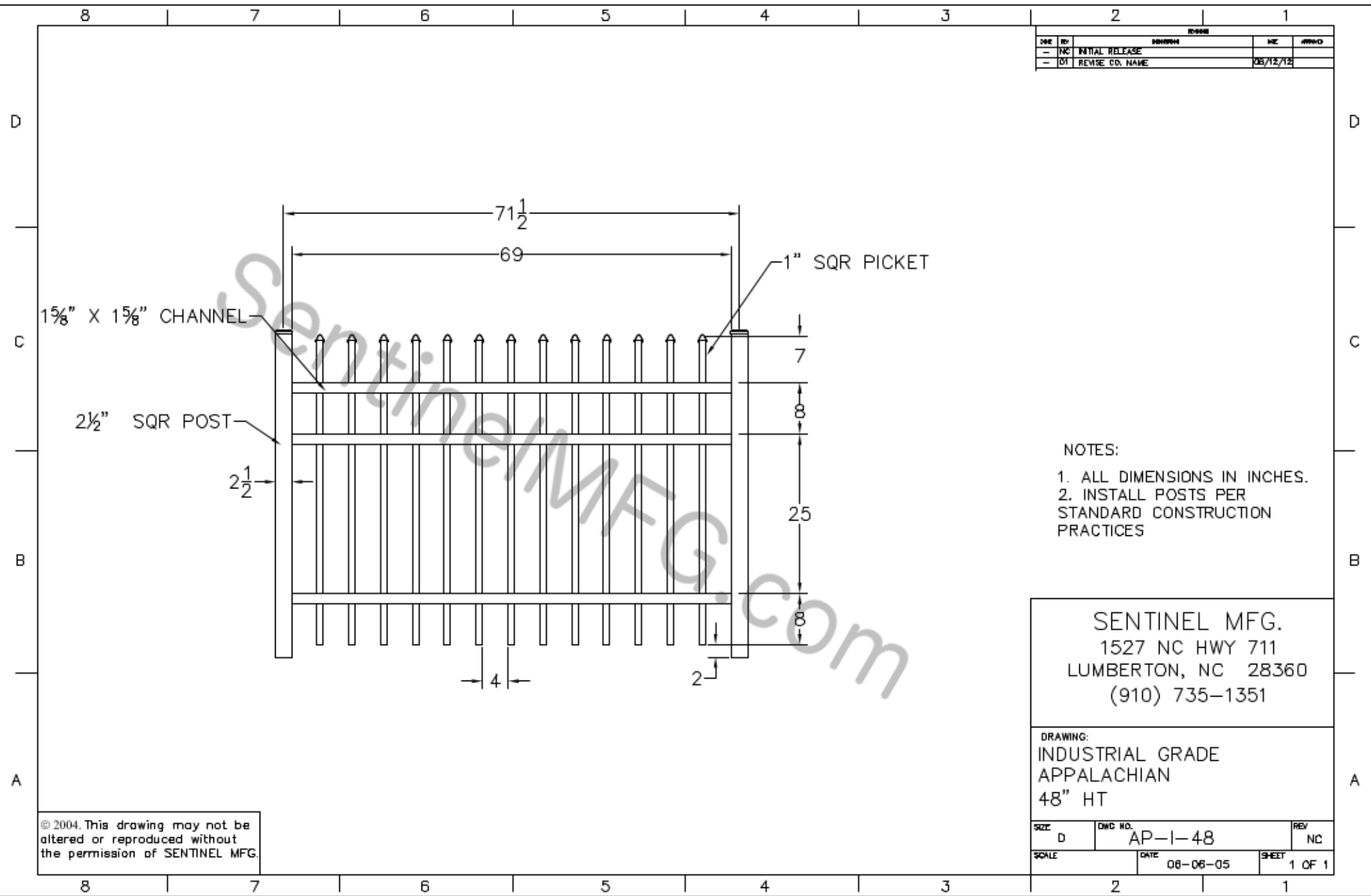


REV	NO	DESCRIPTION	DATE	BY	CHKD
-	NC	INITIAL RELEASE			
-	01	REVISE CD. NAME	08/12/12		



- NOTES:
1. ALL DIMENSIONS IN INCHES.
 2. INSTALL POSTS PER STANDARD CONSTRUCTION PRACTICES

SENTINEL MFG.
 1527 NC HWY 711
 LUMBERTON, NC 28360
 (910) 735-1351

DRAWING:
 INDUSTRIAL GRADE
 APPALACHIAN
 48" HT

SIZE D	DWG NO. AP-1-48	REV NC
SCALE	DATE 08-06-05	SHEET 1 OF 1

© 2004. This drawing may not be altered or reproduced without the permission of SENTINEL MFG.