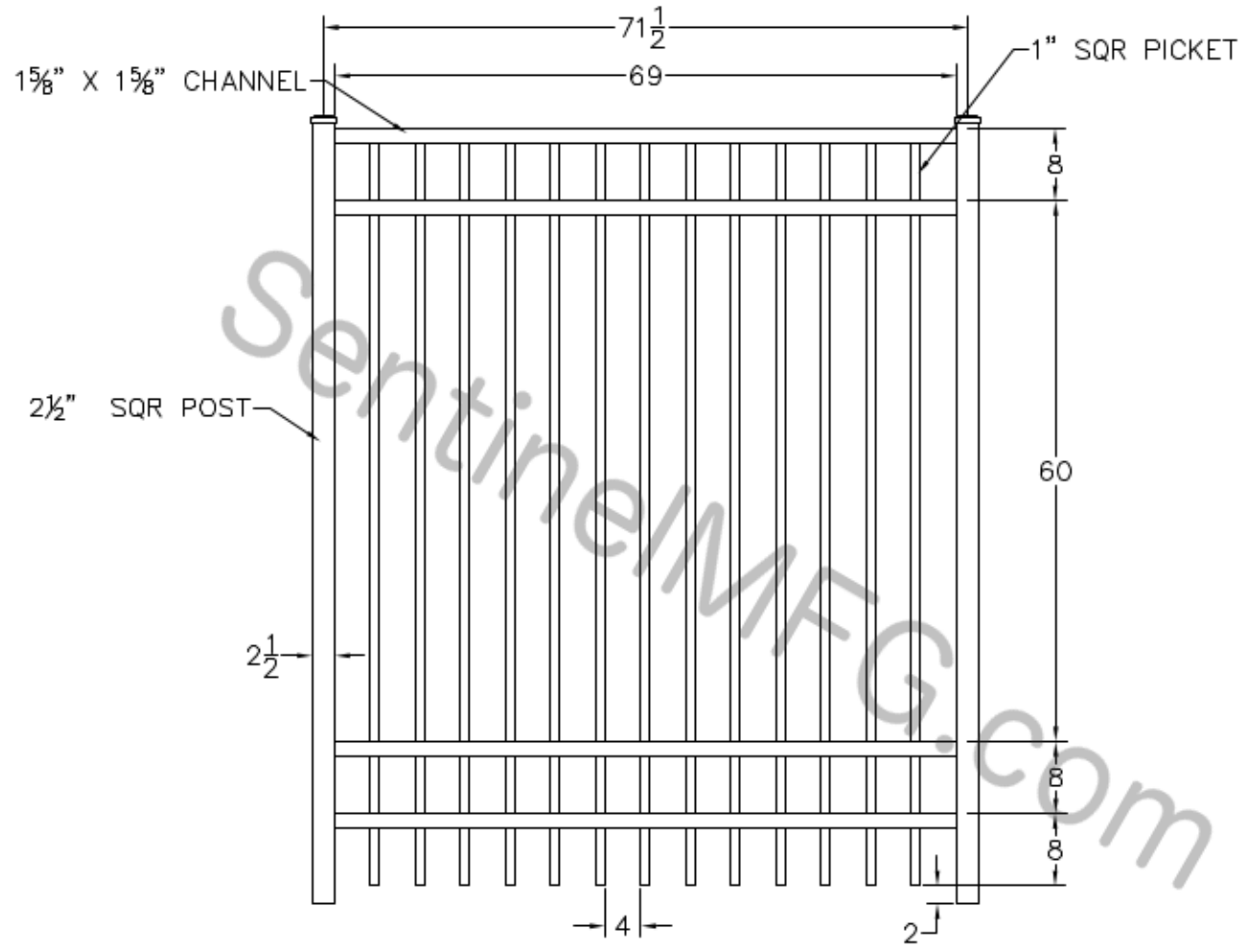


REV	NO	DESCRIPTION	DATE	APPROVED
-	NC	INITIAL RELEASE		
-	01	REVISE QD. NAME	06/18/12	

D

D



NOTES:

1. ALL DIMENSIONS IN INCHES.
2. INSTALL POSTS PER STANDARD CONSTRUCTION PRACTICES

SENTINEL MFG.
 1527 NC HWY 711
 LUMBERTON, NC 28360
 (910) 735-1351

DRAWING:
 INDUSTRIAL GRADE
 SIERRA - 84" HT

© 2004. This drawing may not be altered or reproduced without the permission of SENTINEL MFG.

SIZE	DWG NO.	REV
D	SI-1-84	NC
SCALE	DATE	SHEET
	06-06-05	1 OF 1

A

A

8

7

6

5

4

3

2

1

8

7

6

5

4

3

2

1