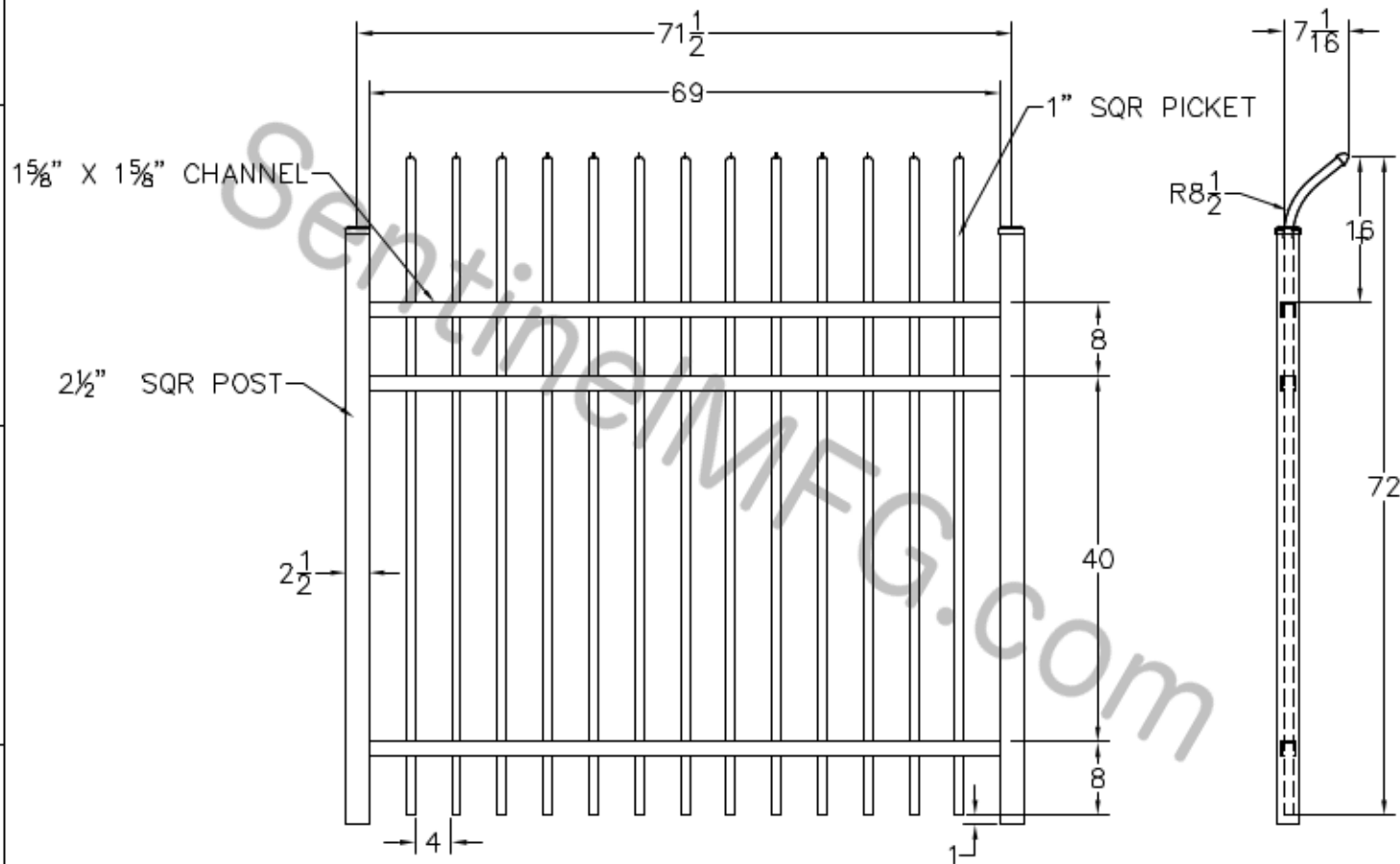


REV	NO.	DESCRIPTION	DATE	BY
-	NC	INITIAL RELEASE		
-	BT	REVISE CD. NAME	08/13/12	



NOTES:

1. ALL DIMENSIONS IN INCHES.
2. INSTALL POSTS PER STANDARD CONSTRUCTION PRACTICES

SENTINEL MFG.  
 1527 NC HWY 711  
 LUMBERTON, NC 28360  
 (910) 735-1351

DRAWING:  
 INDUSTRIAL GRADE  
 X7 - SECURITY  
 ANTI-CLIMB PICKETS-72" HT

SIZE D	DWG. NO. AP-I-SQ-72	REV NC
SCALE	DATE 08-06-05	SHEET 1 OF 1

© 2004. This drawing may not be altered or reproduced without the permission of SENTINEL MFG.