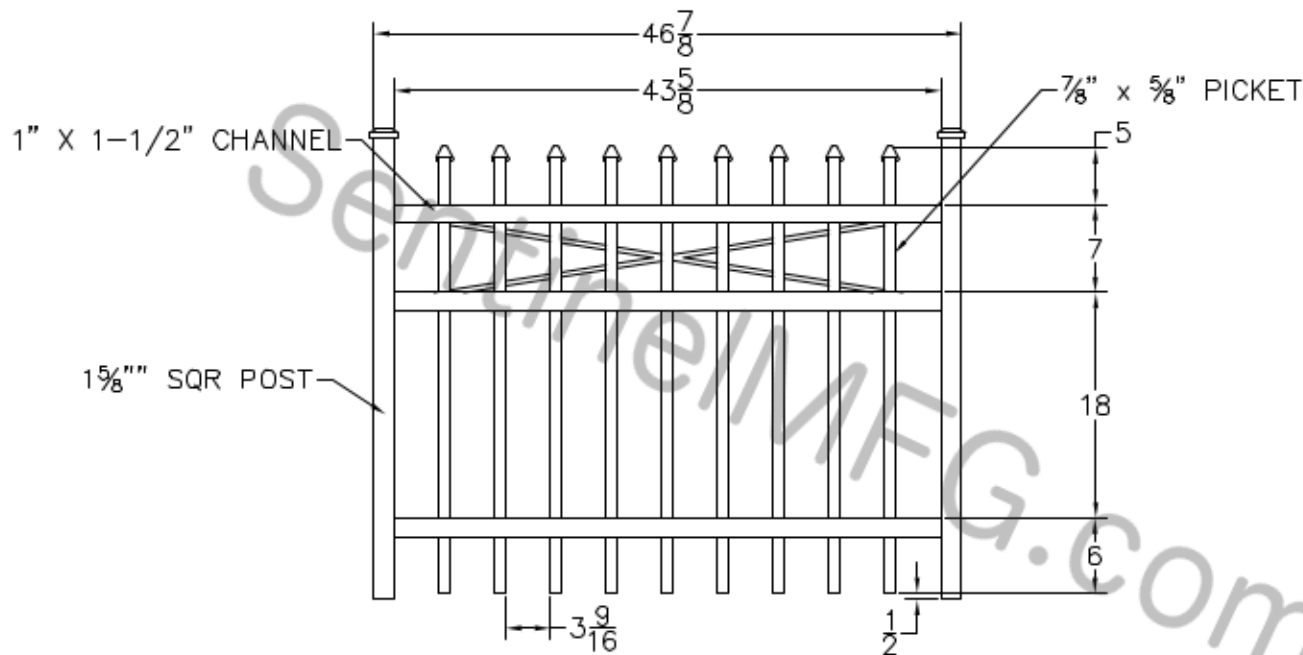


8 7 6 5 4 3 2 1

DATE	REV	DESCRIPTION	BY	APP'D
-	NC	INITIAL RELEASE		
-	01	CREATE FROM AP-R-00048		04/20/12



OUTSIDE VIEW

- NOTES:
1. ALL DIMENSIONS IN INCHES.
  2. INSTALL POSTS PER STANDARD CONSTRUCTION PRACTICES

SENTINEL MFG.  
 1527 NC HWY 711  
 LUMBERTON, NC 28360  
 (910) 735-1351

DRAWING:  
 REGAL GRADE  
 APPALACHIAN GATE -  
 36" HT X 48 W

© 2004. This drawing may not be altered or reproduced without the permission of SENTINEL MFG.

SIZE D	DWG NO. AP-R-36Hx48W	REV NC
SCALE	DATE 06-06-05	SHEET 1 OF 1

8 7 6 5 4 3 2 1