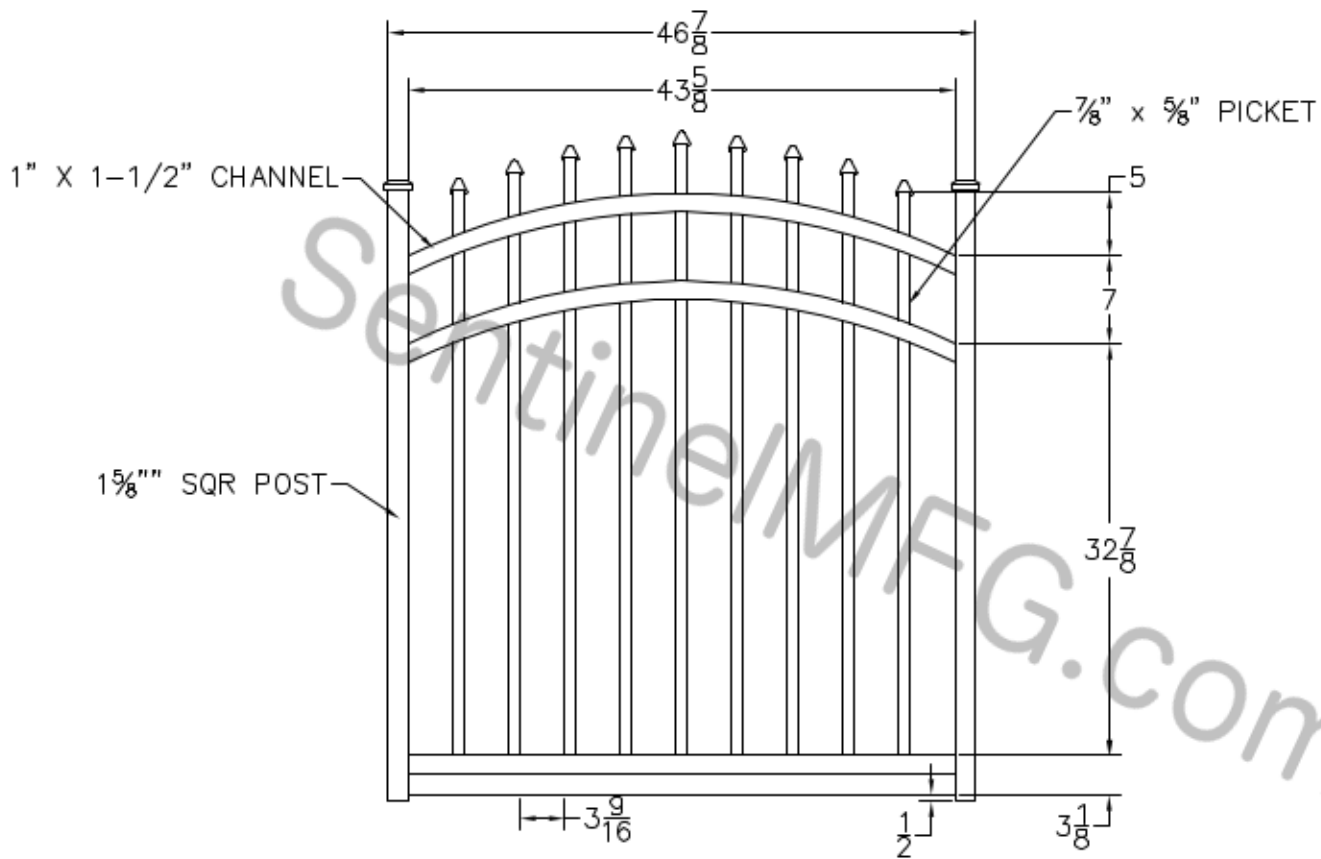


REV	DESCRIPTION	DATE	APP'D
- NC	INITIAL RELEASE		
- 01	CREATE FROM AP-R-48HX48W-AR-DR	05/03/12	



- NOTES:
1. ALL DIMENSIONS IN INCHES.
 2. INSTALL POSTS PER STANDARD CONSTRUCTION PRACTICES

SENTINEL MFG.
 1527 NC HWY 711
 LUMBERTON, NC 28360
 (910) 735-1351

DRAWING:
 REGAL GRADE
 APPALACHIAN GATE-ARCHED
 48" HT X 48 W - HEAVY DUTY

SIZE	DWD NO.	REV
D	AP-R-48HX48W-AR-HD	NC
SCALE	DATE	SHEET
	06-06-05	1 OF 1

© 2004. This drawing may not be altered or reproduced without the permission of SENTINEL MFG.

OUTSIDE VIEW