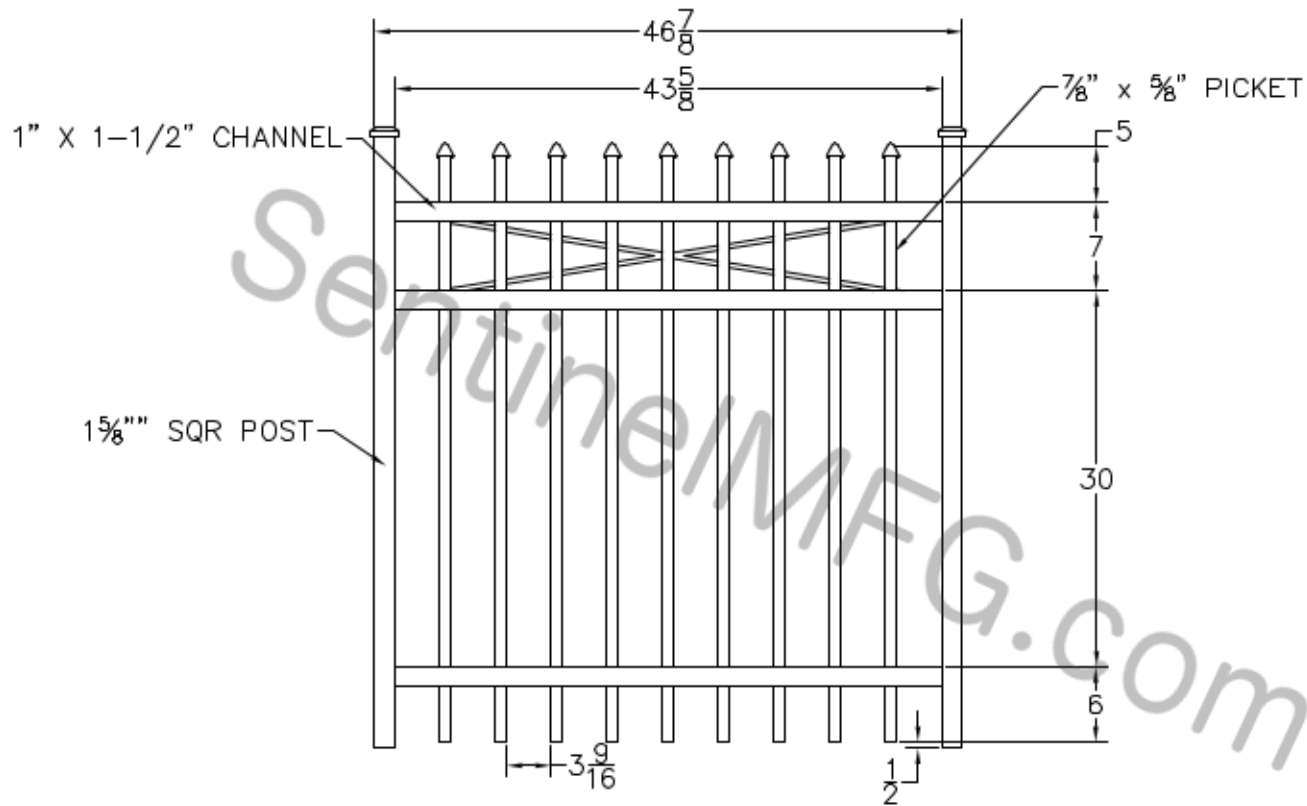


DATE	REV	DESCRIPTION	BY	APPR
-	NC	INITIAL RELEASE		
-	01	CREATE FROM AP-R-80X48		04/04/12



OUTSIDE VIEW

NOTES:

1. ALL DIMENSIONS IN INCHES.
2. INSTALL POSTS PER STANDARD CONSTRUCTION PRACTICES

SENTINEL MFG.
 1527 NC HWY 711
 LUMBERTON, NC 28360
 (910) 735-1351

DRAWING:
 REGAL GRADE
 APPALACHIAN GATE -
 48" HT X 48 W

SIZE	DWG NO.	REV
D	AP-R-48Hx48W	NC
SCALE	DATE	SHEET
	06-06-05	1 OF 1

© 2004. This drawing may not be altered or reproduced without the permission of SENTINEL MFG.