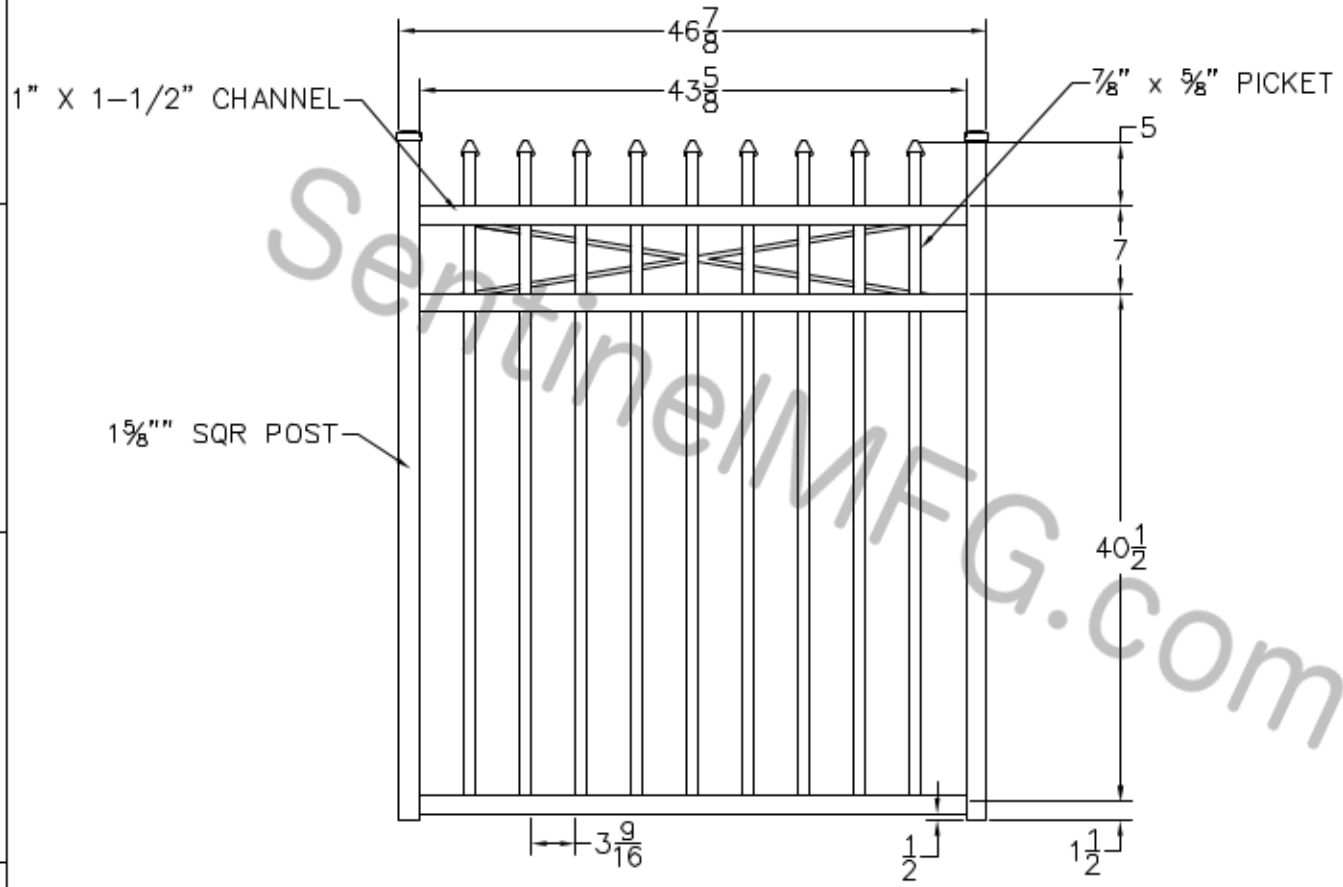


| REV | DESCRIPTION | DATE | APP'D |
|-----|-----------------------------|----------|-------|
| 01 | INITIAL RELEASE | | |
| 01 | CREATE FROM AP-R-54HX48W-DR | 04/12/12 | |



- NOTES:
1. ALL DIMENSIONS IN INCHES.
 2. INSTALL POSTS PER STANDARD CONSTRUCTION PRACTICES

SENTINEL MFG.
 1527 NC HWY 711
 LUMBERTON, NC 28360
 (910) 735-1351

DRAWING:
 REGAL GRADE
 APPALACHIAN GATE -
 54" HT X 48W DROP RAIL

© 2004. This drawing may not be altered or reproduced without the permission of SENTINEL MFG.

| SIZE | DWG. NO. | REV |
|-------|-----------------|--------|
| D | AP-R-54HX48W-DR | NC |
| SCALE | DATE | SHEET |
| | 06-06-05 | 1 OF 1 |