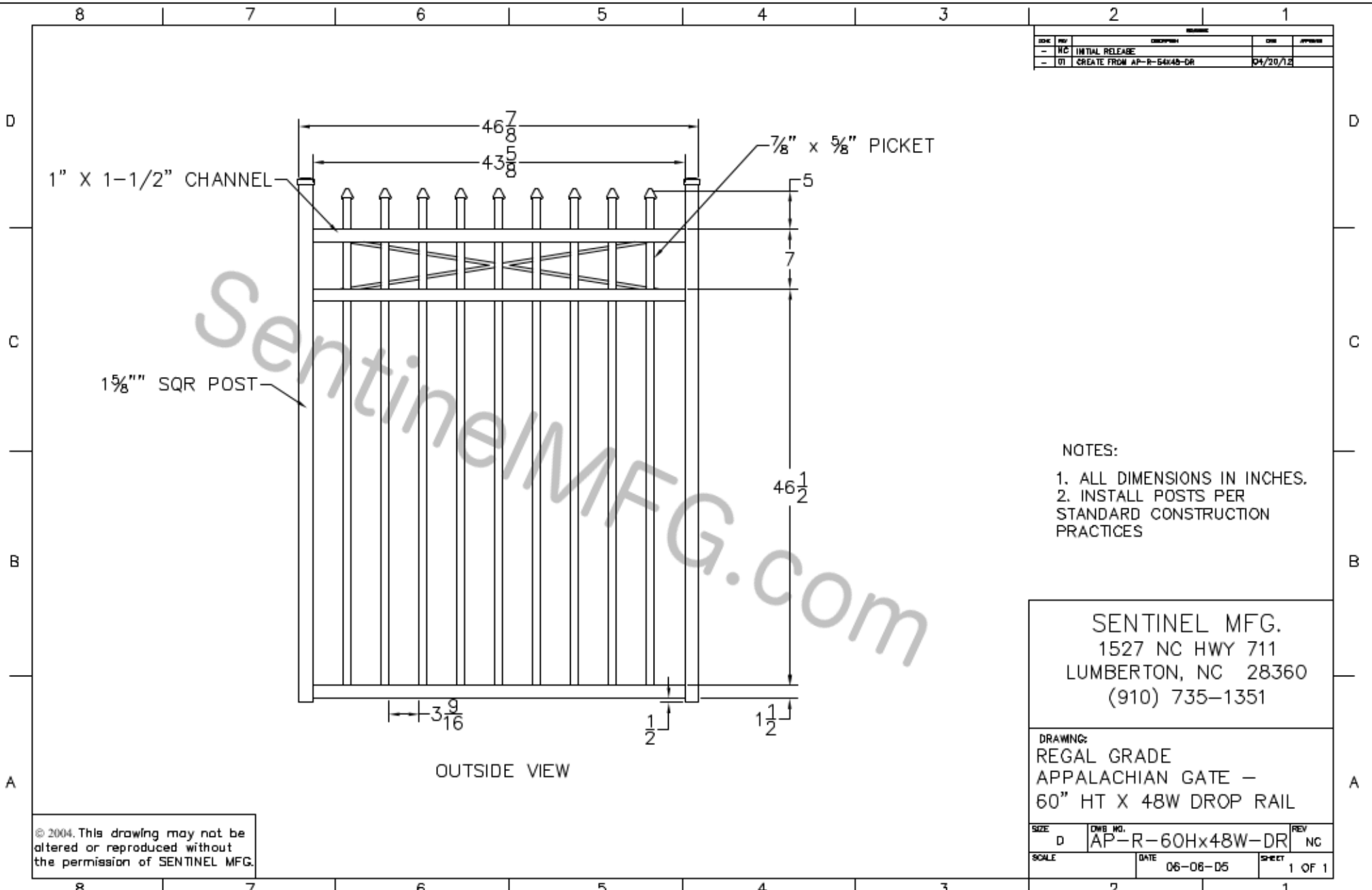


DATE	REV	DESCRIPTION	BY	APPV
-	NC	INITIAL RELEASE		
-	01	CREATE FROM AP-R-64x48-DR		04/20/12



- NOTES:
1. ALL DIMENSIONS IN INCHES.
  2. INSTALL POSTS PER STANDARD CONSTRUCTION PRACTICES

SENTINEL MFG.  
 1527 NC HWY 711  
 LUMBERTON, NC 28360  
 (910) 735-1351

DRAWING:  
 REGAL GRADE  
 APPALACHIAN GATE -  
 60" HT X 48W DROP RAIL

SIZE	D	DWG. NO.	AP-R-60Hx48W-DR	REV	NC
SCALE		DATE	06-06-05	SHEET	1 OF 1

© 2004. This drawing may not be altered or reproduced without the permission of SENTINEL MFG.