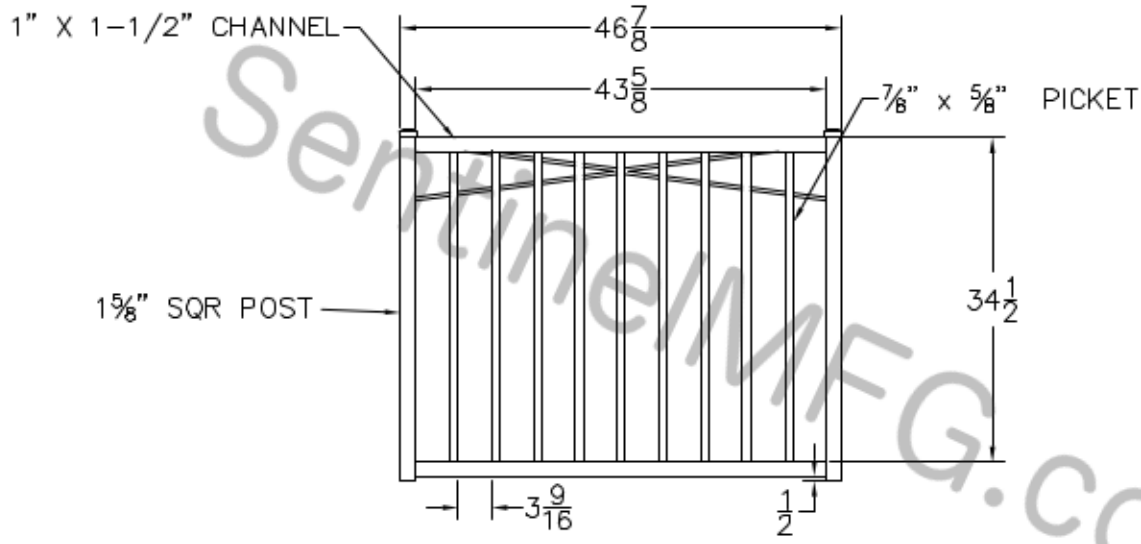


REV	DESCRIPTION	DATE	APP'D
01	CREATE FROM CA-R-18HX48W	04/10/12	
NC	INITIAL RELEASE		



OUTSIDE VIEW

- NOTES:
1. ALL DIMENSIONS IN INCHES.
  2. INSTALL POSTS PER STANDARD CONSTRUCTION PRACTICES

SENTINEL MFG.  
 1527 NC HWY 711  
 LUMBERTON, NC 28360  
 (910) 735-1351

DRAWING:  
 REGAL GRADE  
 CAROLINA GATE -  
 36" HT X 48" WD

SIZE	D	DWG NO.	CA-R-36HX48W	REV	NC
SCALE		DATE	06-06-05	SHEET	1 OF 1

© 2004. This drawing may not be altered or reproduced without the permission of SENTINEL MFG.