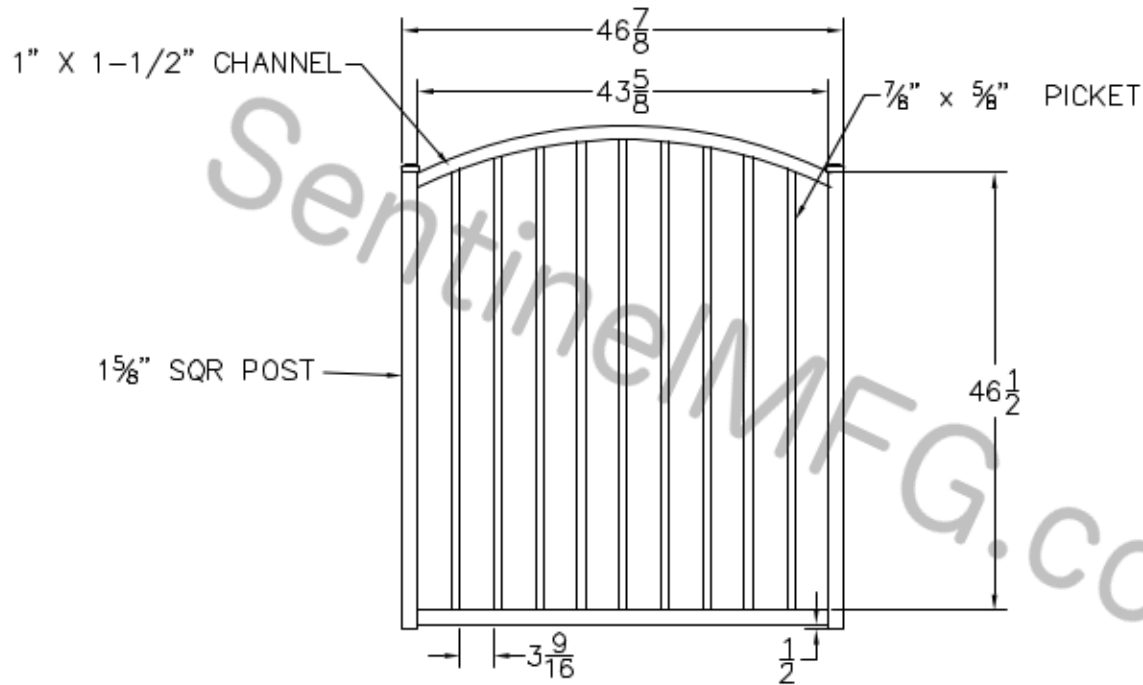


REV	DESCRIPTION	DATE	APPROVED
- 00	INITIAL RELEASE		
- 01	CREATED FROM CA-R-48HX48W	02/02/13	



OUTSIDE VIEW

NOTES:

1. ALL DIMENSIONS IN INCHES.
2. INSTALL POSTS PER STANDARD CONSTRUCTION PRACTICES

SENTINEL MFG.  
 1527 NC HWY 711  
 LUMBERTON, NC 28360  
 (910) 735-1351

DRAWING:  
 REGAL GRADE  
 CAROLINA GATE - ARCHED  
 48" HT X 48" WD

© 2004. This drawing may not be altered or reproduced without the permission of SENTINEL MFG

SIZE	DWG NO.	REV
D	CA-R-48HX48W-AR	NC
SCALE	DATE	SHEET
	06-06-05	1 OF 1