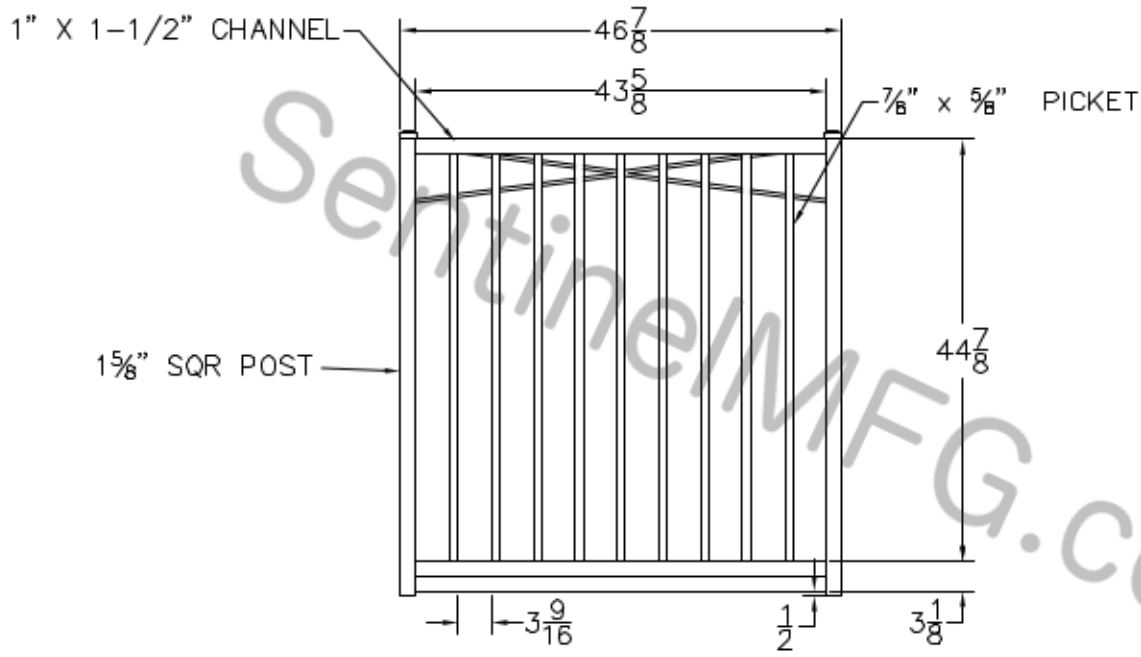


DATE	BY	DESCRIPTION	CHK	APPV
-	NC	INITIAL RELEASE		
-	01	CREATED FROM CA-R-48HX48H		02/02/13



OUTSIDE VIEW

- NOTES:
1. ALL DIMENSIONS IN INCHES.
 2. INSTALL POSTS PER STANDARD CONSTRUCTION PRACTICES

SENTINEL MFG.
 1527 NC HWY 711
 LUMBERTON, NC 28360
 (910) 735-1351

DRAWING:
 REGAL GRADE
 CAROLINA GATE - 48"HT X 48"WD
 SUPER HEAVY DUTY

© 2004. This drawing may not be altered or reproduced without the permission of SENTINEL MFG.

SIZE	DWG NO.	REV
D	CA-R-48HX48W-S HD	NC
SCALE	DATE	SHEET
	06-06-05	1 OF 1