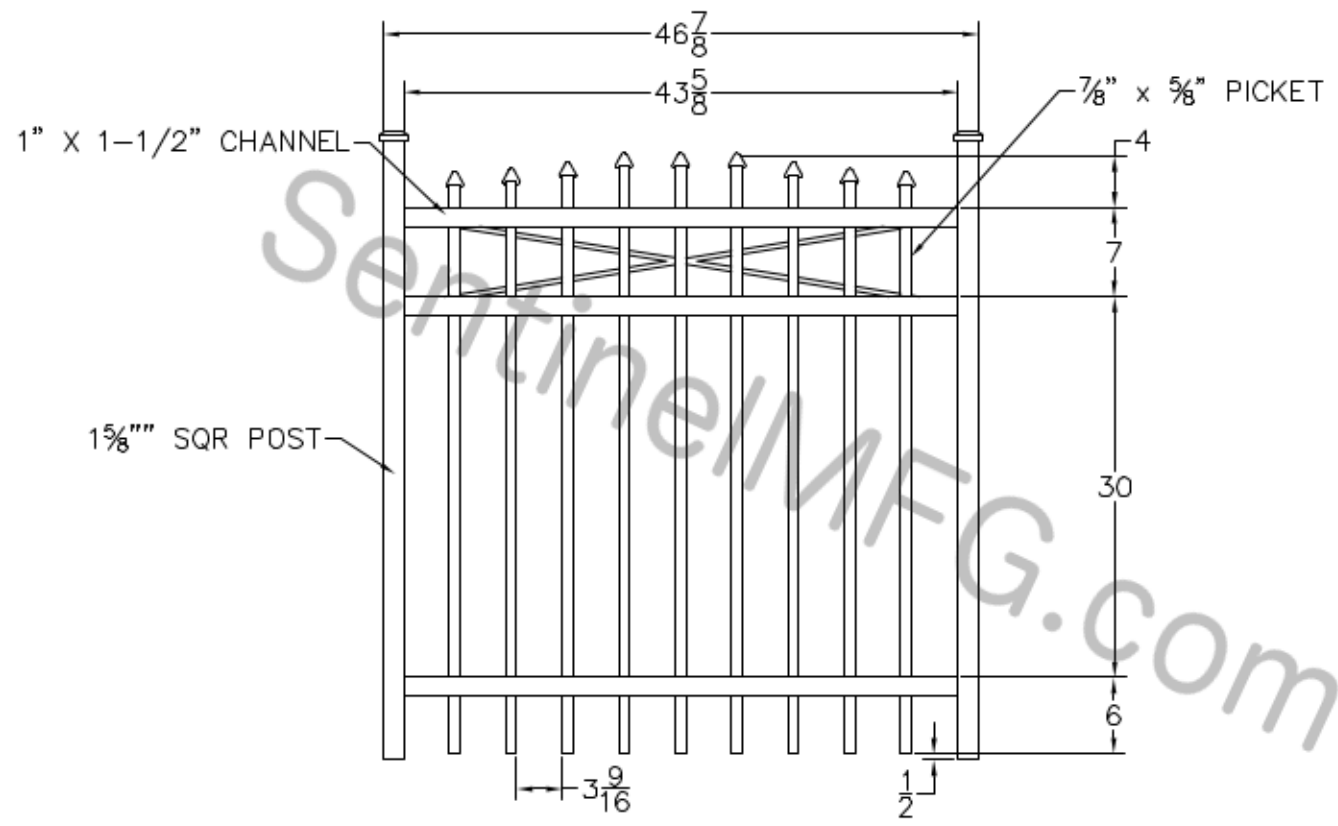


8 7 6 5 4 3 2 1

REV	BY	DATE	DESCRIPTION
-	NC		INITIAL RELEASE
-	DT		CREATE FROM AP-R-48H48

D
C
B
A

D
C
B
A



Picket Lengths:
 1ST: 45.0
 2ND: 45.25
 3RD: 45.75
 4TH: 47.0
 5TH: 47.0

NOTES:
 1. ALL DIMENSIONS IN INCHES.
 2. INSTALL POSTS PER STANDARD CONSTRUCTION PRACTICES

SENTINEL MFG.
 1527 NC HWY 711
 LUMBERTON, NC 28360
 (910) 735-1351

DRAWING:
 REGAL GRADE
 CASTLE GATE -
 48" HT X 48 W

© 2004. This drawing may not be altered or reproduced without the permission of SENTINEL MFG.

SIZE	D	DWG. NO.	CS-R-48Hx48W	REV	NC
SCALE		DATE	08-06-05	SHEET	1 OF 1

8 7 6 5 4 3 2 1