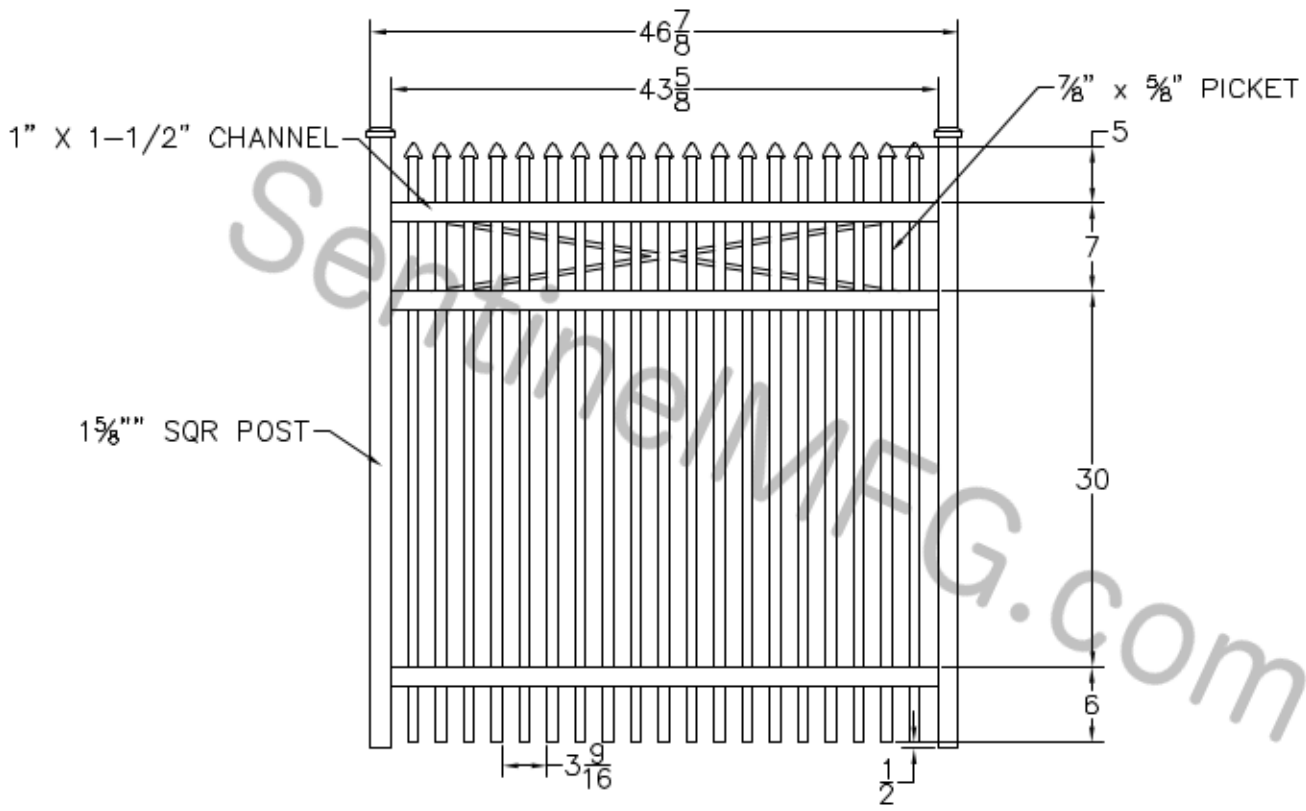


| DATE | REV | DESCRIPTION | BY | APPV |
|------|-----|------------------------|----|----------|
| - | NC | INITIAL RELEASE | | |
| - | 01 | CREATE FROM AP-R-80X48 | | 04/04/12 |



- NOTES:
1. ALL DIMENSIONS IN INCHES.
 2. INSTALL POSTS PER STANDARD CONSTRUCTION PRACTICES

SENTINEL MFG.
 1527 NC HWY 711
 LUMBERTON, NC 28360
 (910) 735-1351

DRAWING:
 REGAL GRADE
 EXTRA PICKET GATE -
 48" HT X 48W APPALACHIAN

| | | | | | |
|-------|---|----------|-----------------|-------|--------|
| SIZE | D | DWG. NO. | XP-R-48Hx48W-AP | REV | NC |
| SCALE | | DATE | 06-06-05 | SHEET | 1 OF 1 |

© 2004. This drawing may not be altered or reproduced without the permission of SENTINEL MFG.

