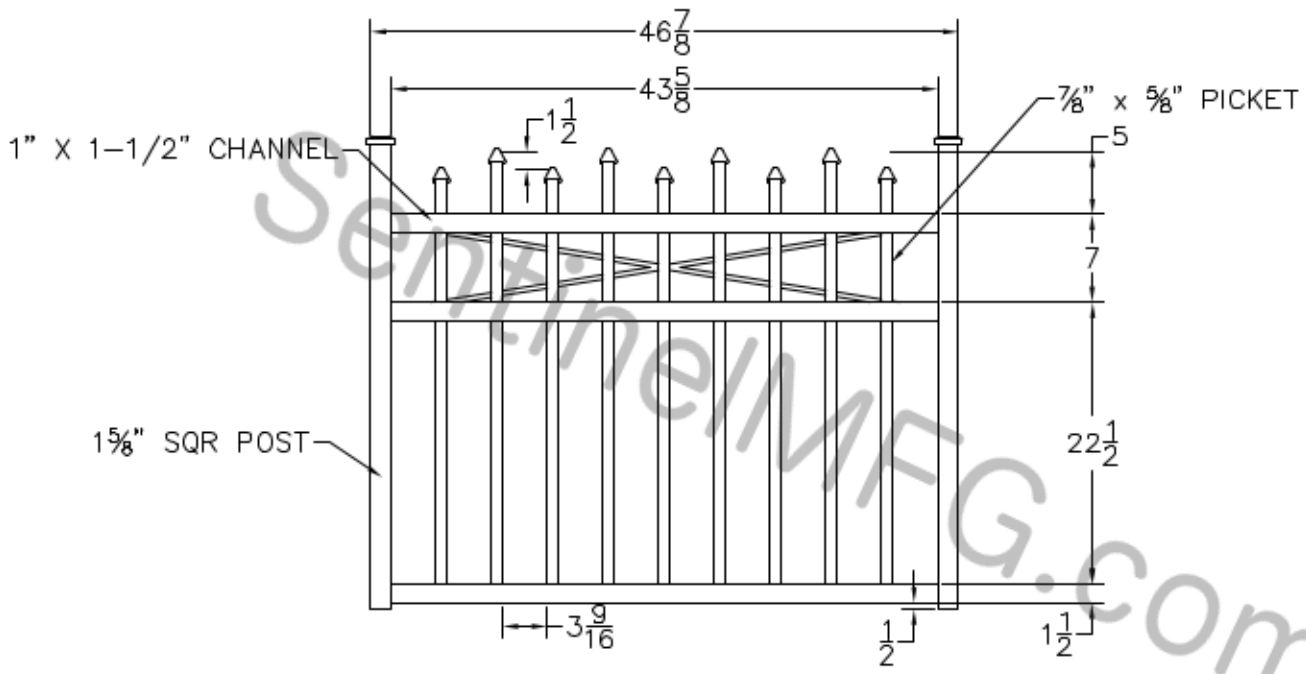


DATE	REV	DESCRIPTION	BY	APP'D
-	NC	INITIAL RELEASE		
-	DT	CREATE FROM MA-R-36H48	CS	02/12



OUTSIDE VIEW

- NOTES:
1. ALL DIMENSIONS IN INCHES.
  2. INSTALL POSTS PER STANDARD CONSTRUCTION PRACTICES

SENTINEL MFG.  
 1527 NC HWY 711  
 LUMBERTON, NC 28360  
 (910) 735-1351

DRAWING:  
 REGAL GRADE  
 MANHATTAN GATE -  
 36" HT X 48 W - DROP RAIL

SIZE	DWG NO.	REV
D	MA-R-36Hx48W-DR	NC
SCALE	DATE	SHEET
	06-06-05	1 OF 1

© 2004. This drawing may not be altered or reproduced without the permission of SENTINEL MFG.