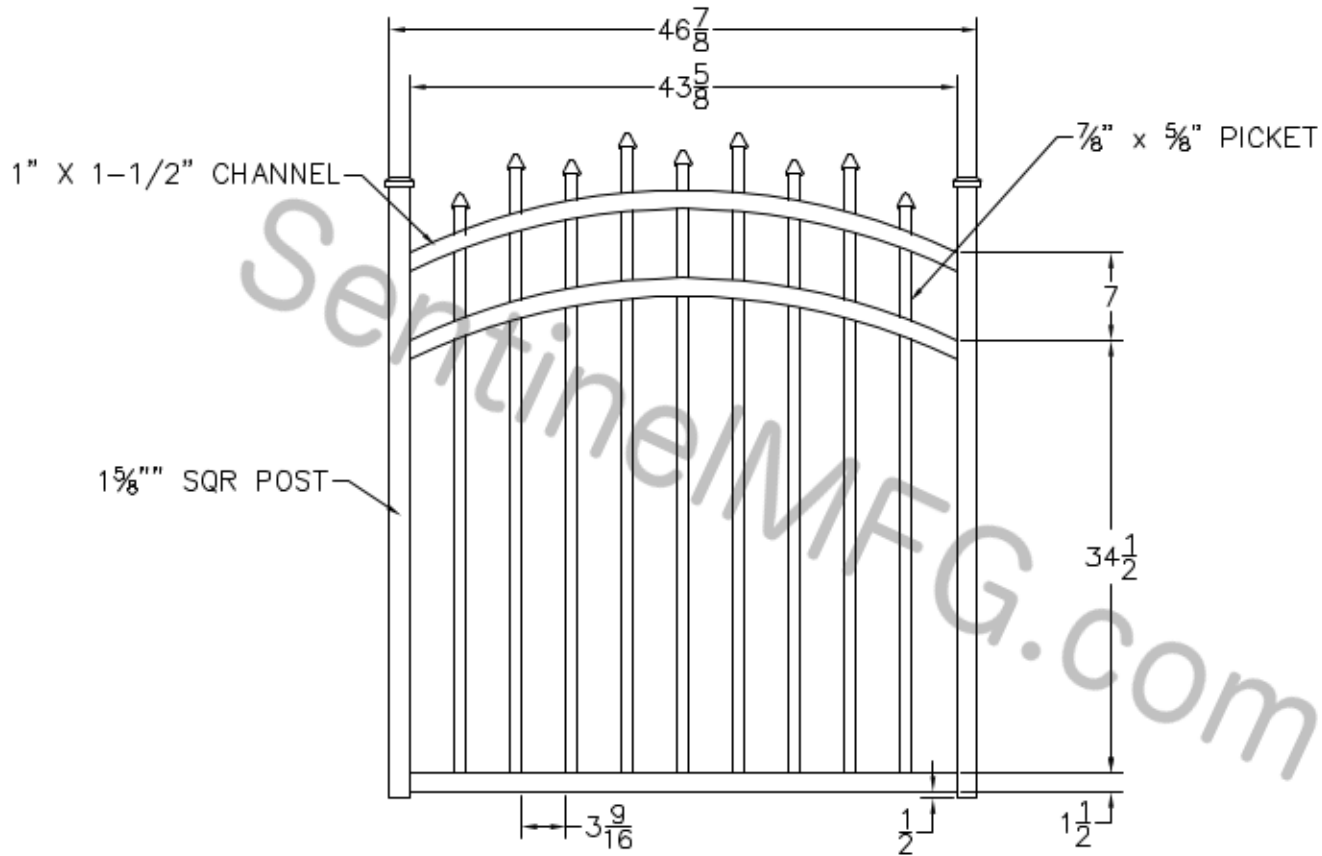


| DATE | BY | DESCRIPTION | CHK | APPR |
|------|----|-----------------------------|----------|------|
| - | NC | INITIAL RELEASE | | |
| - | DT | CREATE FROM MA-R-48HX48W-AR | 05/03/12 | |



OUTSIDE VIEW

NOTES:

1. ALL DIMENSIONS IN INCHES.
2. INSTALL POSTS PER STANDARD CONSTRUCTION PRACTICES

SENTINEL MFG.
 1527 NC HWY 711
 LUMBERTON, NC 28360
 (910) 735-1351

DRAWING:
 REGAL GRADE
 MANHATTAN GATE - ARCHED
 48" HT X 48 W - DROP RAIL

| SIZE | DWG. NO. | REV |
|-------|--------------------|--------|
| D | MA-R-48HX48W-AR-DR | NC |
| SCALE | DATE | SHEET |
| | 06-06-05 | 1 OF 1 |

© 2004. This drawing may not be altered or reproduced without the permission of SENTINEL MFG.