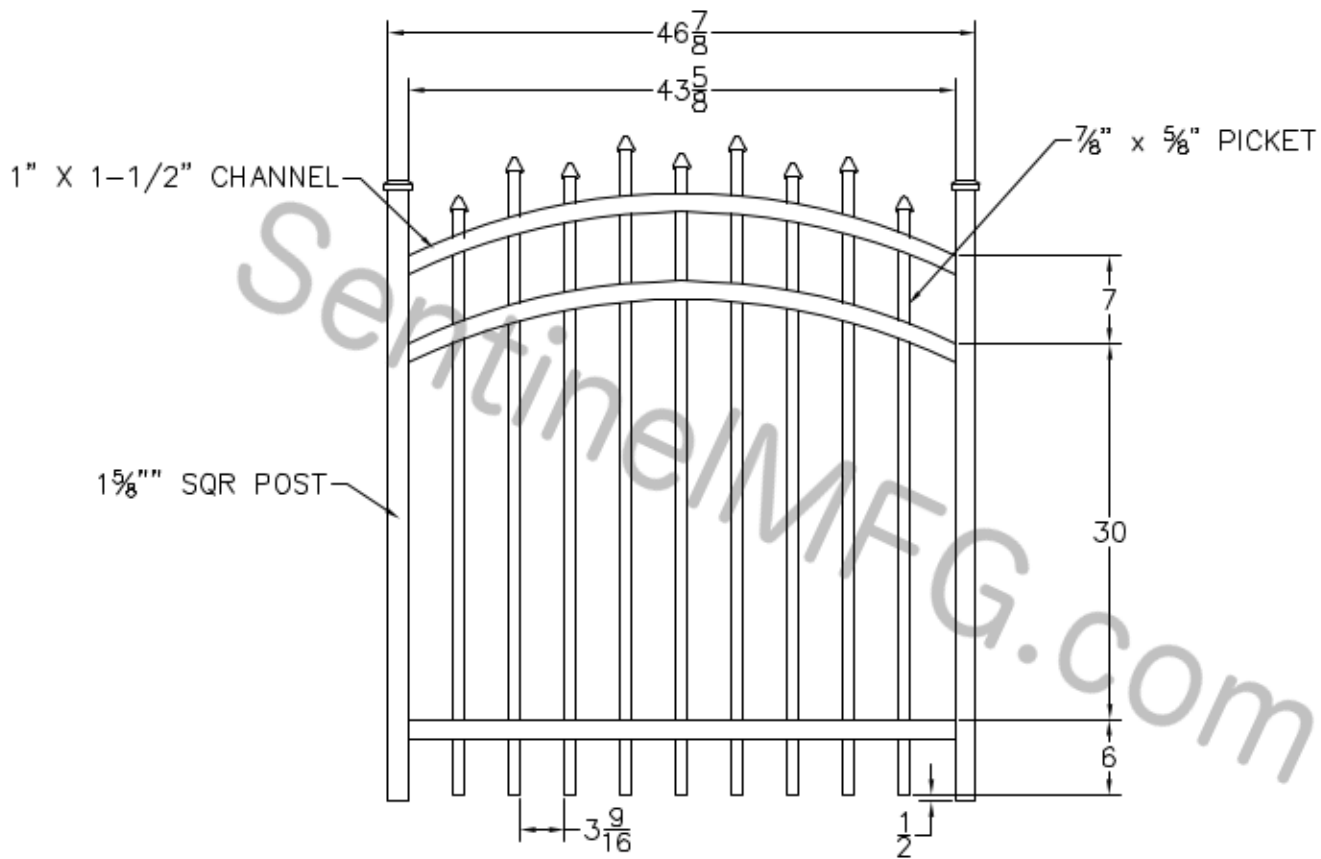


REV	DESCRIPTION	DATE	APP'D
- NC	INITIAL RELEASE		
- 01	CREATE FROM AP-R-80HX48W-AR	05/02/12	

D
C
B
A

D
C
B
A



OUTSIDE VIEW

- NOTES:
1. ALL DIMENSIONS IN INCHES.
 2. INSTALL POSTS PER STANDARD CONSTRUCTION PRACTICES

SENTINEL MFG.
1527 NC HWY 711
LUMBERTON, NC 28360
(910) 735-1351

DRAWING:
REGAL GRADE
MANHATTAN GATE - ARCHED
48" HT X 48 W

SIZE D	DWG NO. MA-R-48HX48W-AR	REV NC
SCALE	DATE 06-06-05	SHEET 1 OF 1

© 2004. This drawing may not be altered or reproduced without the permission of SENTINEL MFG.

8 7 6 5 4 3 2 1

8 7 6 5 4 3 2 1