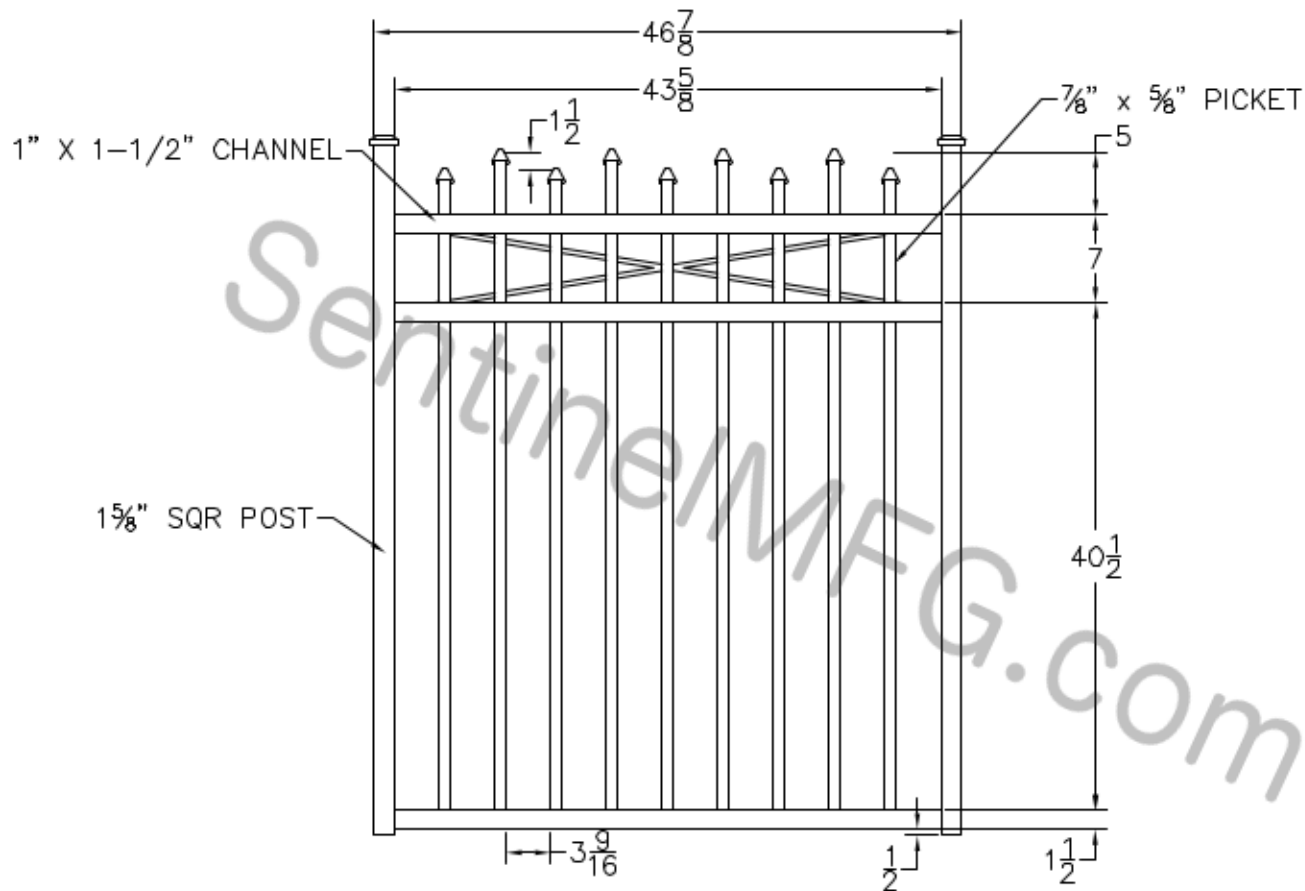


| REV | DESCRIPTION | DATE | APP'D |
|------|---------------------------|----------|-------|
| - NC | INITIAL RELEASE | | |
| - 01 | CREATE FROM MA-R-60048-DR | 05/02/12 | |



OUTSIDE VIEW

NOTES:

1. ALL DIMENSIONS IN INCHES.
2. INSTALL POSTS PER STANDARD CONSTRUCTION PRACTICES

SENTINEL MFG.
 1527 NC HWY 711
 LUMBERTON, NC 28360
 (910) 735-1351

DRAWING:
 REGAL GRADE
 MANHATTAN GATE -
 54" HT X 48 W - DROP RAIL

| SIZE | DWG. NO. | REV |
|-------|-----------------|--------|
| D | MA-R-54HX48W-DR | NC |
| SCALE | DATE | SHEET |
| | 06-06-05 | 1 OF 1 |

© 2004. This drawing may not be altered or reproduced without the permission of SENTINEL MFG.