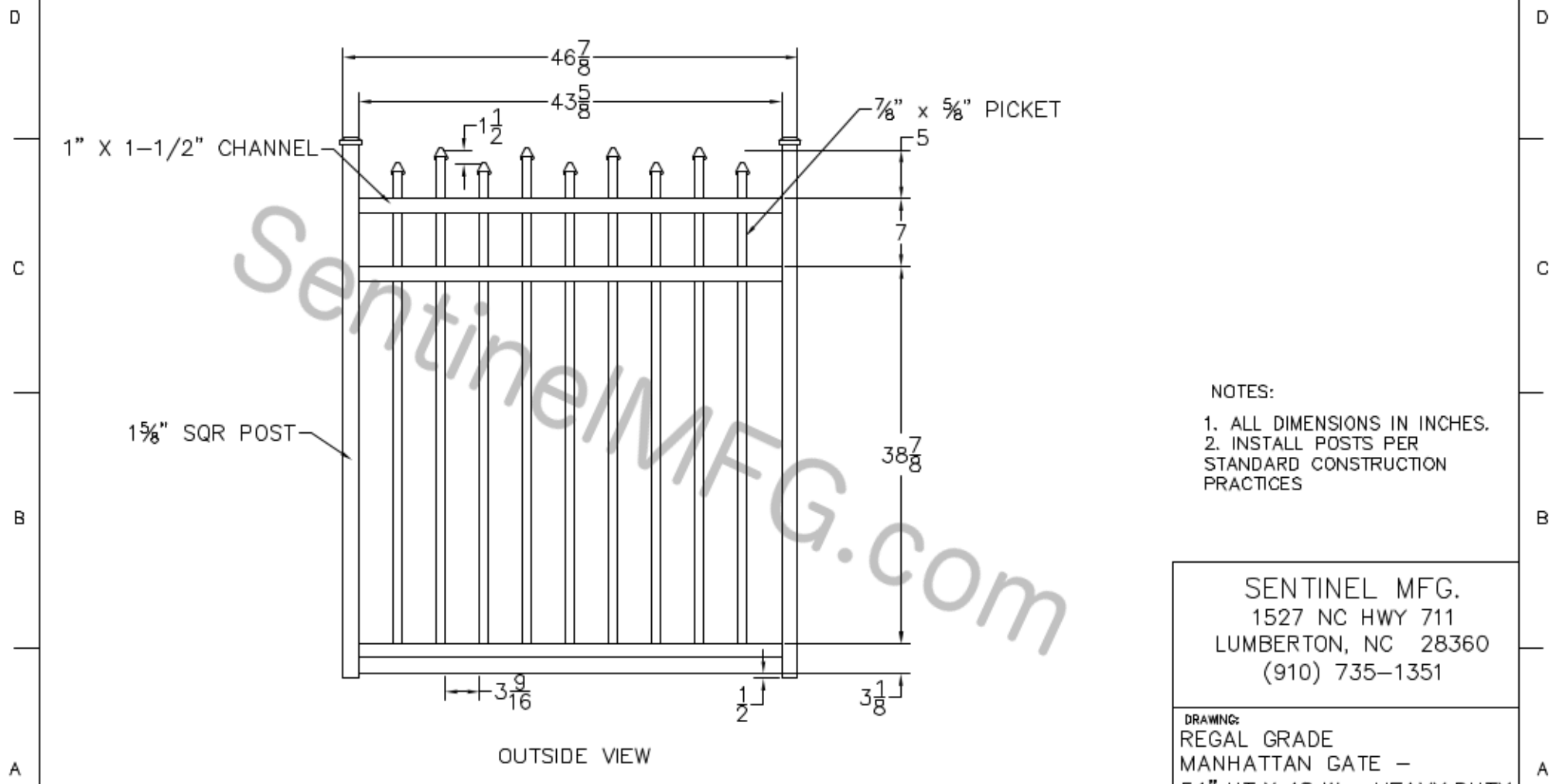


DATE	REV	DESCRIPTION	BY	APPV
-	NC	INITIAL RELEASE		
-	DT	CREATE FROM MA-R-54x48-DR		05/02/12



- NOTES:
1. ALL DIMENSIONS IN INCHES.
  2. INSTALL POSTS PER STANDARD CONSTRUCTION PRACTICES

SENTINEL MFG.  
 1527 NC HWY 711  
 LUMBERTON, NC 28360  
 (910) 735-1351

DRAWING:  
 REGAL GRADE  
 MANHATTAN GATE -  
 54" HT X 48 W - HEAVY DUTY

SIZE	D	DWG NO.	MA-R-54Hx48W-HD	REV	NC
SCALE		DATE	06-06-05	SHEET	1 OF 1

© 2004. This drawing may not be altered or reproduced without the permission of SENTINEL MFG.