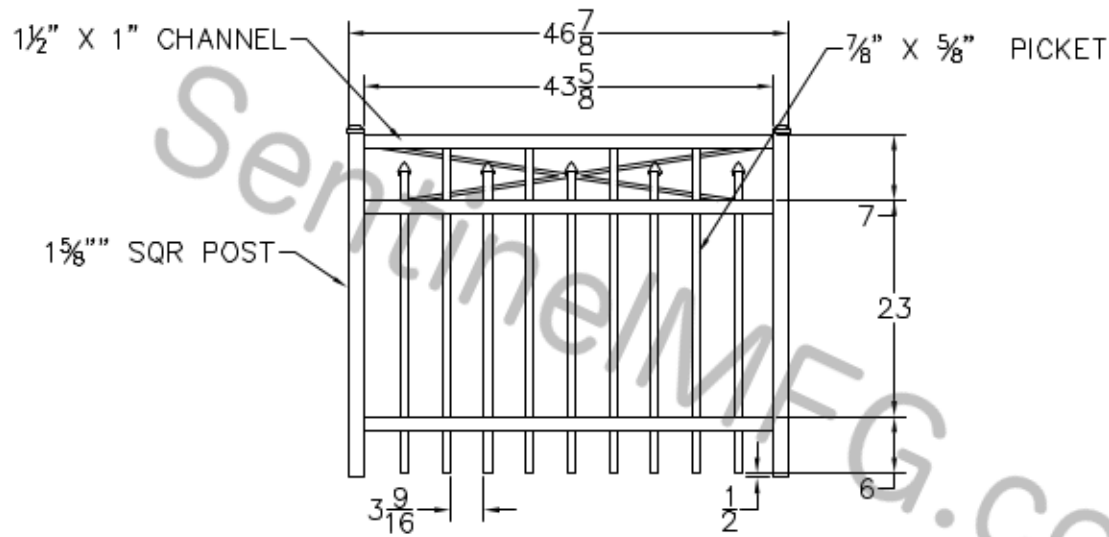


REV	DESCRIPTION	DATE	APPROVED
01	CREATE FROM OU-R-36HX48W	04/23/12	
NC	INITIAL RELEASE		



OUTSIDE VIEW

- NOTES:
1. ALL DIMENSIONS IN INCHES.
  2. INSTALL POSTS PER STANDARD CONSTRUCTION PRACTICES

SENTINEL MFG.  
 1527 NC HWY 711  
 LUMBERTON, NC 28360  
 (910) 735-1351

DRAWING:  
 REGAL GRADE  
 OUTBACK GATE -  
 36" HT X 48" WD

SIZE	DWG NO.	REV
D	OU-R-36HX48W	NC
SCALE	DATE	SHEET
	03-28-06	1 OF 1

© 2004. This drawing may not be altered or reproduced without the permission of SENTINEL MFG.